



Universal measuring transducer with Ethernet interface

with HTTP, TCP/IP, Modbus-TCP protocol
2 limit value or pulsed outputs

Type:
Multi-E-MU



Application

The measuring transducer Multi-E-MU serves to measure current, voltage, frequency, active and reactive power, apparent power and the power factor in case of sinusoidal quantities. The measurement is possible in alternating current systems and 3-wire or 4-wire three-phase power systems with same or any load.

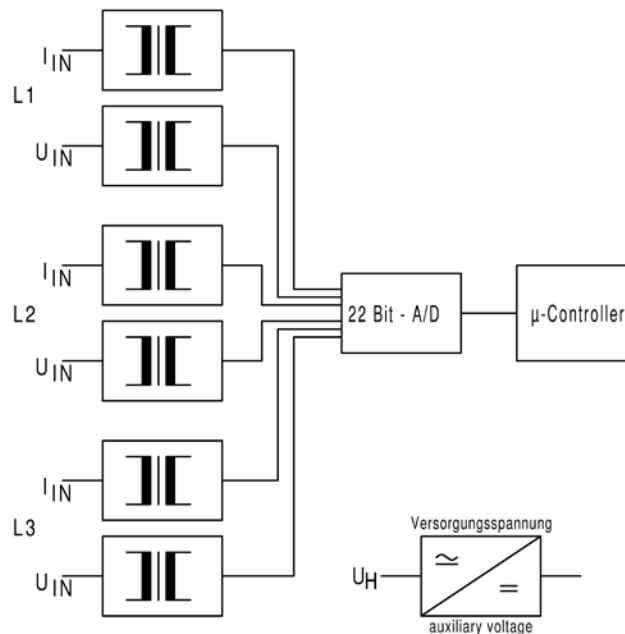
The 29 measurands may be displayed, stored and configured via a 10 Mbit/sec Ethernet LAN interface at the PC. Up to 13000 series of measured values may be stored in the internal memory of the measuring transducer. Furthermore, the measuring results may be displayed via web browser or be read and further processed via HTTP, TCP/IP or Modbus-TCP protocol. Two further outputs may be used as limit value or pulsed outputs. The switching status of the limit value or pulsed outputs is indicated by 2 LEDs.



Function

The parameters to be measured are transmitted to a 22 bit A/D converter with a sample rate of >20 kSPS via a current and voltage transformer. In a microcontroller, the required values for the outputs are calculated from the measured parameters. The output values for current and voltage are rms-values. The frequency is calculated from the period of the voltage signal of phase L1. The active powers are calculated from the products of the samples of current and voltage of the three phases. The calculations of the reactive power of the three phases are done using the product of the samples of the currents and the 90° offset voltage signals. The apparent power is the sum of the products from the three rms-values of current and voltage. The power factors are calculated from the apparent power values and the active power values.

The two limit value and pulsed outputs are galvanically isolated from all inputs and the auxiliary voltage. An auxiliary voltage is required.



Types and variants

Multi-E-MU	incl. software download and LAN cable
Surcharge	Connection to hall-effect or flexible current transformers



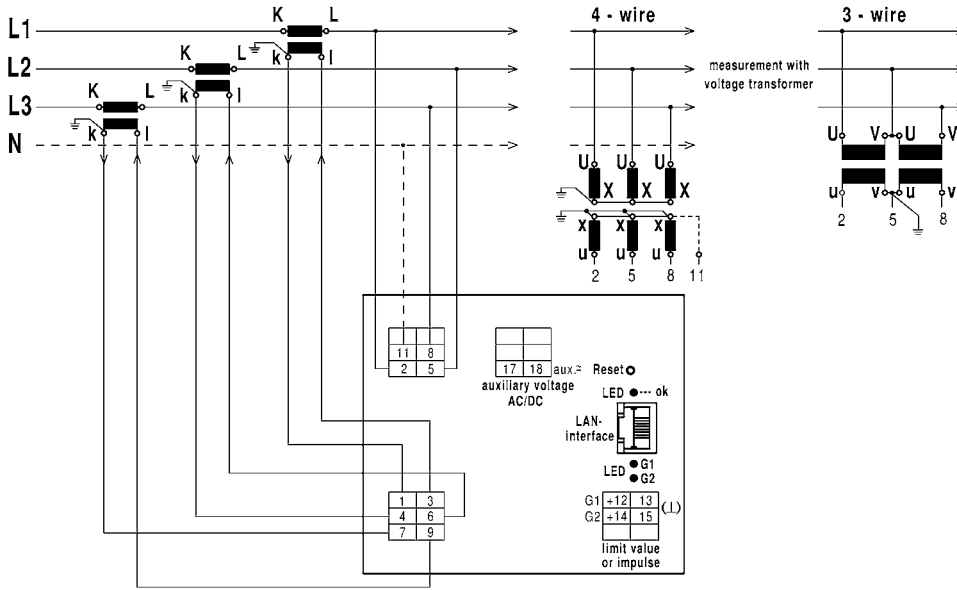
Technische Daten

Input	Input variables	Alternating current and voltage, frequency, active power, reactive power apparent power and power factor in alternating current systems, 4-wire and 3-wire 3-phase power systems with same and any load, unidirectional and bidirectional energy direction, configurable
	Rated current	2 A and 6 A
	Current range	0,3-10 A, configurable
	Rated voltage	100-750 V
	Voltage range	40-750 V, configurable
	Rated frequency	50 Hz
	Frequency range	40-80 Hz
	Energy consumption	per current path 0,06 VA with 1A, 0,3 VA with 5 A per voltage path 0,02 VA with 100V, 1 VA with 750 V
	Overload permanent	voltage max. 750 V, current max. 12 A
	High surge load	voltage 1000 V 1 s, current 240 A 1 s
Limit value and pulsed outputs	Type	Open collector, (NPN-Transistor)
	Operating voltage	5-24 V DC, max. 30 V DC
	Operating current	max. 40 mA
	Pulse length	ca. 40 ms
	Hysteresis	ca. 4 % of set limit value
	Accuracy	± 1 % of full scale
	Caution!	The valence of the pulses must be divided by the transmission ratio (K_N) of the current and voltage transformers used!
Transfer behavior	Accuracy	± 0,5 % (at power factor ± 0,5 % in the range >25 % of apparent power = U x I _{Nom} x 1,732 , with apparent power <25 % the accuracy is ± 1 %, below 10 % of apparent power, (power factor is not measured)
	Current influence	< 0,5 % with 0,15 to 2-fold rated current
	Frequency influence	< 0,3 % within frequency range
	Phase angle influence	< 0,5 % with ± 90°
	Temperature range	-15 °C to +20 °C to +30 °C to +55 °C
	Temperature influence	< 0,2 % at 10 K
	Auxiliary voltage influence	no
	Load influence	no
	External magnetic field influence	no (up to 400 A/m)
	Test voltage	5,2 kV between input to auxiliary voltage 5,2 kV between input to interface, 2 kV between limit value or pulsed output and interface
Auxiliary voltage	Wide range power supply	10-30 V AC + DC, 5 VA or 60-265 V AC + DC, 5 VA (please specify at order)
Dimensions	Housing	Housing E (67,5 mm wide) Page A 1
Weight		500 g
Installation	Fastening	Snap-on fastening on top hat rail 35 mm acc. to DIN EN 60 715
	Electrical connection	Screw terminal max. 4 mm ²
Calibration	The measuring transducer is factory-calibrated. The calibration should be renewed in the manufacturer's plant every two years	
Configuration	The measuring transducer is configured in the factory if the required data are known. A reconfiguration is possible at any time. This will require the related software (download from www.mueller-ziegler.de) and a PC. The measuring transducer and the PC must be connected to each other using a LAN cable (accessory). The auxiliary voltage must be connected to the measuring transducer. The various configuration options of the inputs and outputs are program-guided.	

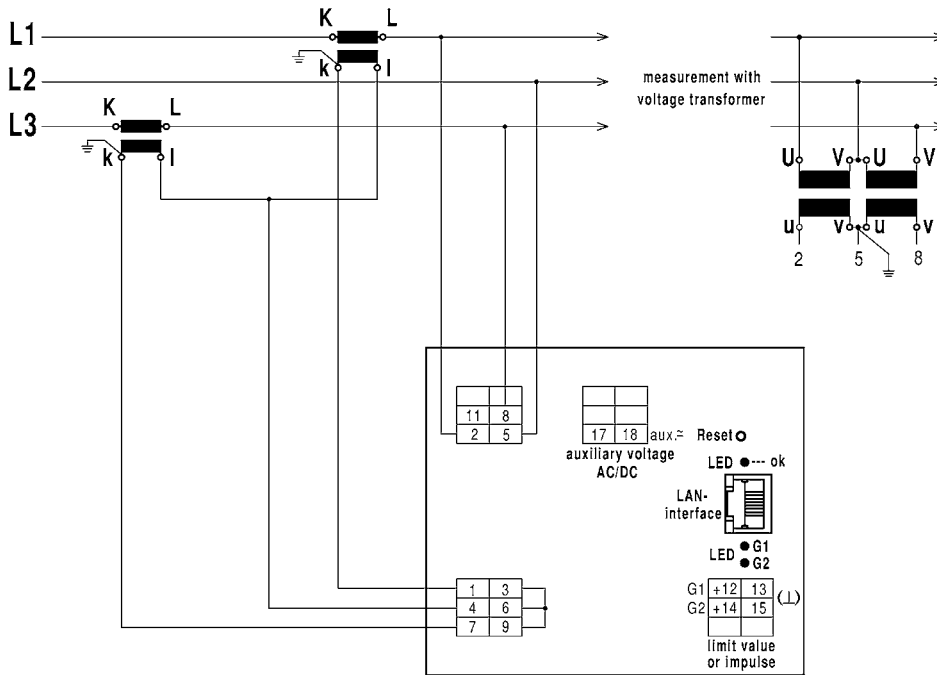


Connection

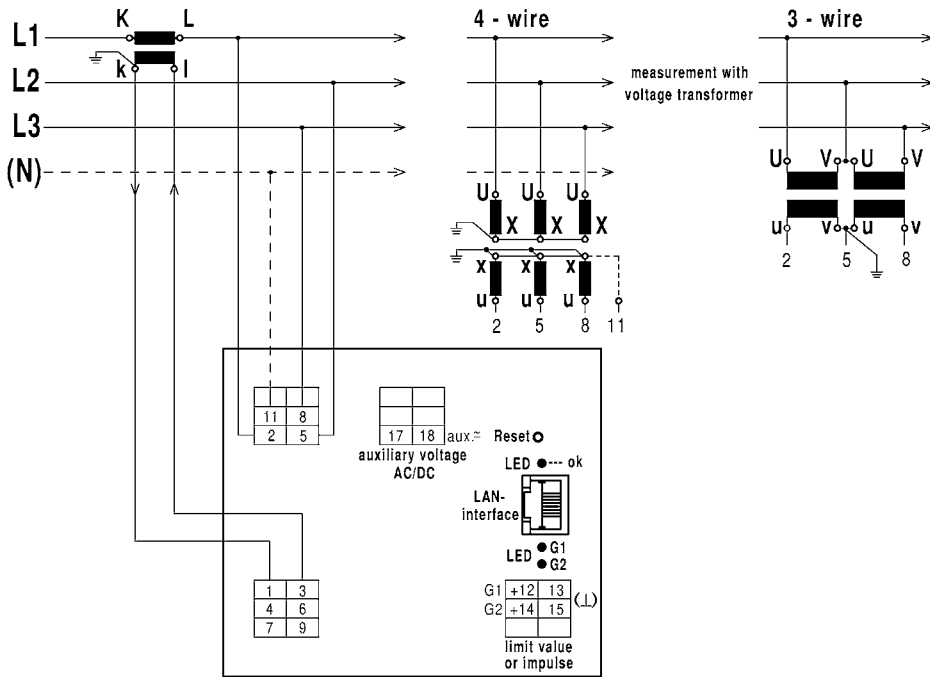
3-/ 4-wire 3-phase current, any load (inputs and outputs not used remain unconnected)



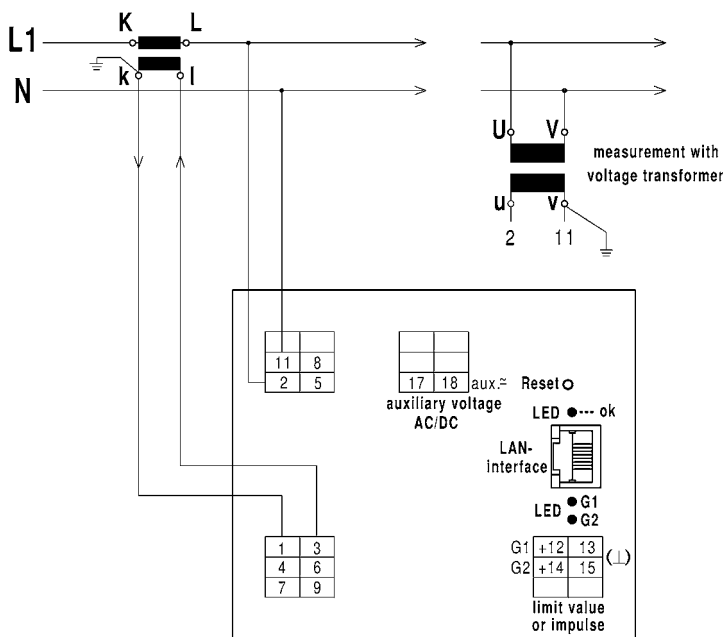
3-wire 3-phase current any load (inputs and outputs not used remain unconnected)



3- /4-wire 3-phase current same load (inputs and outputs not used remain unconnected)

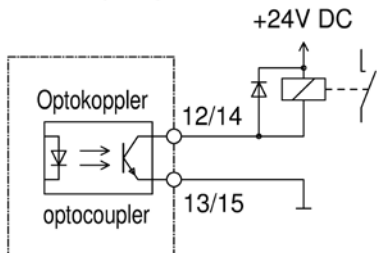


Alternating current (inputs and outputs not used remain unconnected)



Limit value or pulsed output G1 and G2

Schaltausgang mit externem Relais
switching output with external relay



Impulsausgang mit Lastwiderstand
pulse output with load resistor

