



Wound primary CT

for direct connection

WSWS

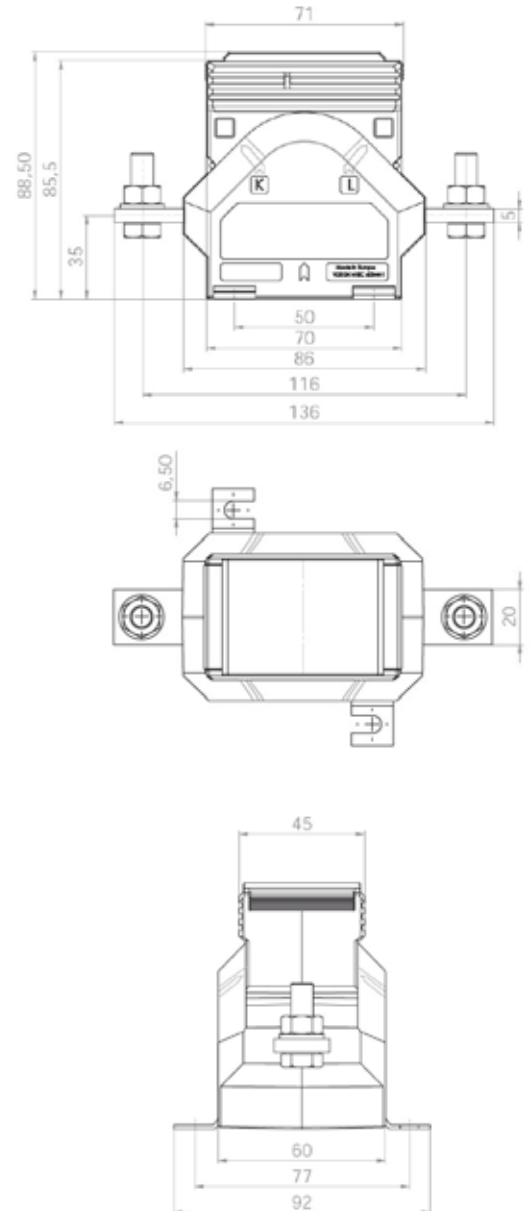


Type WSWS

Width	70 mm (with busbar 136 mm)
Depth	60 mm
Busbar size	-- mm
Round cond.	-- mm

Accessories incl. foot fastening brackets
secondary terminal cover
terminal screws busbar

Weight approx. 580 g



Types and variants

Primary current in A	VA	class 1		class 0,5	
		sec. 5 A	sec. 1 A	sec. 5 A	sec. 1 A
25	5	X	X	X	X
	10	X	X	X	X
	15	-	X	-	-
30	5	X	X	X	X
	10	X	X	X	X
	15	X	X	-	-
40	5	X	X	X	X
	10	X	X	X	X
	15	X	X	-	-
50	5	X	X	X	X
	10	X	X	X	X
	15	X	X	-	-
60	5	X	X	X	X
	10	X	X	X	X
	15	X	X	-	-
75	5	X	X	X	X
	10	X	X	X	X
	15	X	X	-	-
80	5	X	X	X	X
	10	X	X	X	X
	15	X	X	-	-
100	5	X	X	X	X
	10	X	X	X	X
	15	X	X	-	-

Accessories: see accessories