



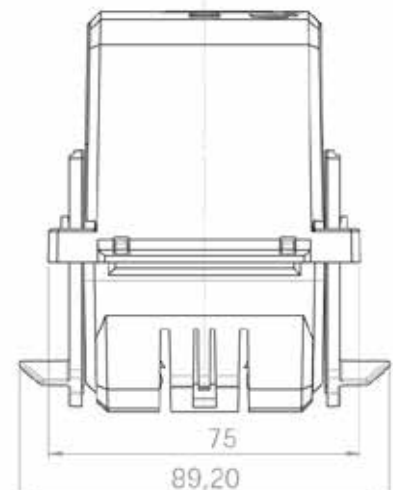
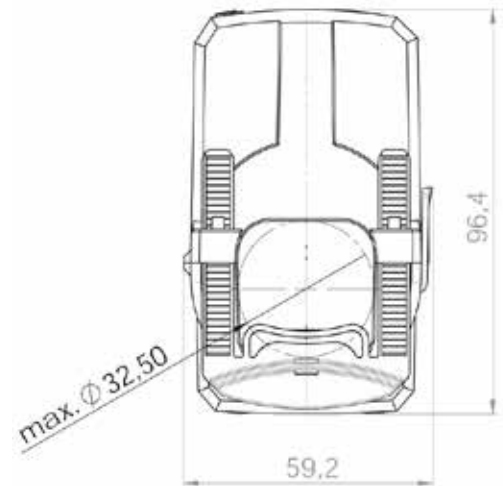
Split core current transformers

for round conductors up to 32,5 mm

SWU 32

Type SWU 32

Width	59,2 mm
Depth	75 / 90 mm
Busbar size	--
Round cond.	Ø 32,5 mm
Accessories incl.	fixing brackets connection cable 2x0,75 ² , length 2,5 m
Weight	approx. 220 g



Types and variants

Primary current in A	VA	class 3		class 1	
		sec. 5 A	sec. 1 A	sec. 5 A	sec. 1 A
50	1	-	-	-	-
75	1	-	-	-	-
100	1,25	-	-	-	-
	1,5	X	-	-	-
125	2,5	-	X	-	-
	1,5	-	-	-	-
	2,5	X	-	-	-
150	3	-	X	-	-
	2	-	-	-	-
200	3	X	X	-	-
	1	-	-	-	-
250	5	-	X	-	-
	3	X	-	-	-
	4	-	-	-	-
300	5	-	X	-	-
	2,5	-	-	X	-
400	5	-	-	X	X
	5	-	-	-	X
500	5	-	-	X	X
	5	-	-	X	X
600	5	-	-	X	X