



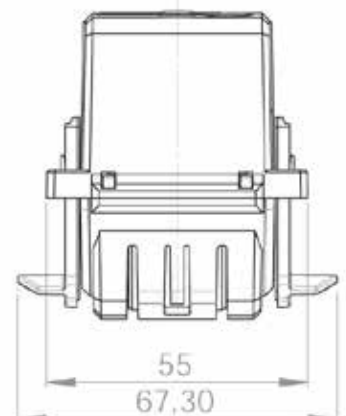
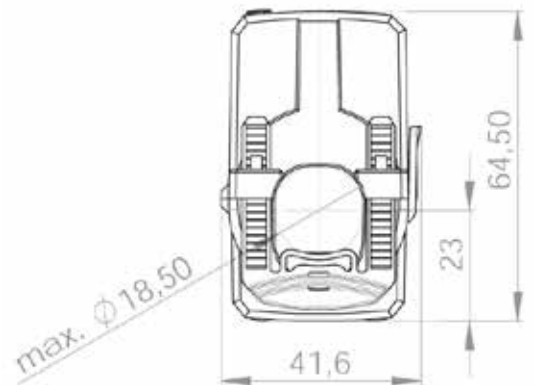
# Split core current transformers

for round conductors up to 18,5 mm

## SWU 18

### Type SWU 18

<b>Width</b>	41,6 mm
<b>Depth</b>	55 / 68 mm
<b>Busbar size</b>	--
<b>Round cond.</b>	Ø 18,5 mm
<b>Accessories incl.</b>	fixing brackets connection cable 2x0,75 <sup>2</sup> , length 2,5 m
<b>Weight</b>	approx. 150 g



### Types and variants

Primary current in A	VA	class 3		class 1	
		sec. 5 A	sec. 1 A	sec. 5 A	sec. 1 A
50	1	-	X	-	-
75	1	-	X	-	-
100	1,25	-	X	-	-
	1,5	-	-	-	-
	2,5	-	-	-	-
125	1,5	-	X	-	-
	2,5	-	-	-	-
	3	-	-	-	-
150	2	-	X	-	-
	3	-	-	-	-
200	1	-	-	-	X
	3	-	X	-	-
	5	-	-	-	-
250	1,5	-	-	-	X
	3	-	-	-	-
	4	-	X	-	-
	5	-	-	-	-
300	2,5	-	-	-	-
	5	-	-	-	-
400	5	-	-	-	-
500	5	-	-	-	-
600	5	-	-	-	-