



Plug-in current transformers

for busbars 60 x 15 / 2 x 50 x 10 mm

SWR-S 6010

Primary current 200 - 1600 A



Type SWR-S 6010

Width	85 mm
Depth	30 mm
Busbar size	60x15/2x50x10 mm
Round cond.	Ø 52 mm

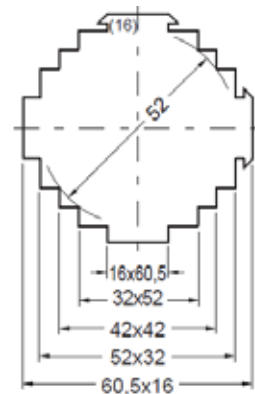
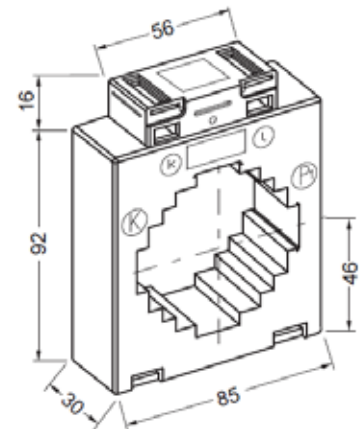
Accessories incl.	busbar fixing material secondary terminal cover
--------------------------	---

Weight	approx. 350 g
	also possible in class 0,2; 0,2S und 0,5S



Types and variants

Primary current in A	VA	class 1		class 0,5	
		sec. 5 A	sec. 1 A	sec. 5 A	sec. 1 A
200	2,5	X	X	-	-
250	2,5	X	X	-	-
	3,75	X	-	-	-
300	2,5	X	X	X	X
	3,75	X	X	-	-
	5	X	-	-	-
400	2,5	X	X	X	X
	3,75	X	X	-	-
	5	X	-	X	-
500	2,5	X	X	X	X
	5	X	X	X	-
	7,5	X	-	X	-
600	2,5	X	X	X	X
	5	X	X	X	X
	10	X	-	X	-
750	2,5	X	X	X	X
	5	X	X	X	X
	10	X	-	X	-
800	2,5	X	X	X	X
	5	X	X	X	X
	10	X	-	X	-
	15	X	-	X	-
1000	2,5	-	X	X	X
	5	X	X	X	X
	10	X	-	X	-
	15	X	-	X	-
1250	2,5	-	X	-	X
	5	X	X	X	X
	7,5	-	X	-	X
	10	X	-	X	-
	15	X	-	X	-
1500	20	X	-	X	-
	5	X	-	X	-
	10	X	-	X	-
	15	X	-	X	-
1600	20	X	-	X	-
	5	X	-	X	-
	10	X	-	X	-
	15	X	-	X	-
20	X	-	X	-	



Accessories: see accessories

