



# Plug-in current transformers

for busbars 40 x 10 (12) mm

## SWR-S 4010

Primary current 50 - 500 A



### Type SWR-S 4010

<b>Width</b>	70 mm
<b>Depth</b>	49 mm
<b>Busbar size</b>	40 x 10 / 30 x 15 mm
<b>Round cond.</b>	Ø 30 mm

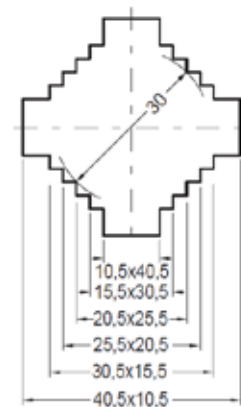
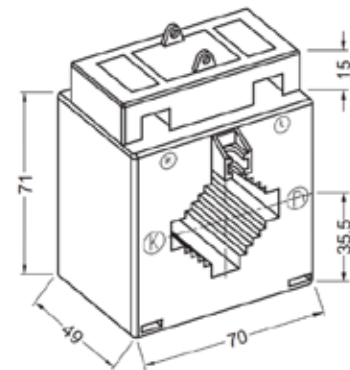
**Accessories incl.** foot fastening brackets  
busbar fixing material  
secondary terminal cover

**Weight** approx. 550 g  
also possible in class 0,2; 0,25 und 0,55



### Types and variants

Primary current in A	VA	class 1		class 0,5	
		sec. 5 A	sec. 1 A	sec. 5 A	sec. 1 A
60	1,25	X	X	-	-
75	1,25	X	X	-	-
80	2	X	X	-	-
100	2,5	X	X	-	-
125	2,5	X	X	X	X
	3,75	-	-	X	X
	5	X	X	-	-
150	2,5	X	X	X	X
	3,75	-	-	X	X
	5	X	X	-	-
200	5	X	X	X	X
	7,5	-	-	X	X
	10	X	X	-	-
250	5	X	X	X	X
	10	X	X	X	X
	15	X	X	-	-
300	5	X	X	X	X
	10	X	X	X	X
	15	X	X	X	X
400	5	X	X	X	X
	10	X	X	X	X
	15	X	X	X	X
500	5	X	X	X	X
	10	X	X	X	X
	15	X	X	X	X
600	5	X	X	X	X
	10	X	X	X	X
	15	X	X	X	X
750	5	X	X	X	X
	10	X	X	X	X
	15	X	X	X	X
800	10	X	X	X	X
	15	X	X	X	X
	30	X	X	X	X
1000	10	X	X	X	X
	15	X	X	X	X
	30	X	X	X	X



**Accessories:** see accessories

