



Plug-in current transformers

for busbars 30 x 10 mm

SWR-S 3010

Primary current 40 - 300 A



Type SWR-S 3010

Width	70 mm
Depth	49 mm
Busbar size	30 x 10 mm
Round cond.	Ø 23 mm

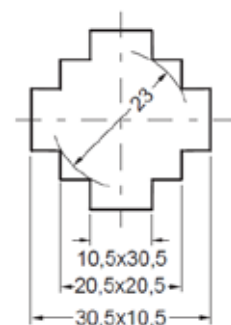
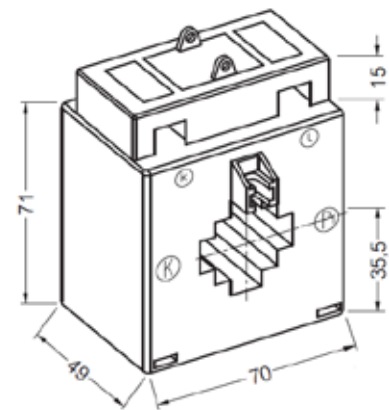
Accessories incl. foot fastening brackets
busbar fixing material
secondary terminal cover

Weight approx. 650 g
also possible in class 0,2; 0,25 und 0,55



Types and variants

Primary current in A	VA	class 1		class 0,5	
		sec. 5 A	sec. 1 A	sec. 5 A	sec. 1 A
40	1,25	X	X	-	-
	2,5	-	-	-	-
50	1	-	-	X	X
	1,25	X	X	-	-
60	2,5	X	X	-	X
	1	-	-	X	X
75	1,25	X	-	-	-
	2,5	X	X	X	X
	3,75	X	X	-	-
80	1	-	-	X	X
	2,5	X	X	X	X
	5	X	X	-	-
100	1	-	-	X	X
	2,5	X	X	X	X
	5	X	X	X	X
125	7,5	X	X	-	-
	2,5	-	X	X	-
	5	X	X	X	X
150	7,5	-	-	X	X
	10	X	X	-	-
	2,5	-	-	X	-
200	5	X	X	X	X
	10	X	X	X	X
	15	X	-	X	X
	20	X	X	-	-
250	5	-	X	-	X
	10	X	X	X	-
	15	X	-	X	X
	20	X	X	X	X
300	10	X	-	X	-
	15	-	-	X	-
	20	X	-	-	-
	30	X	-	-	-



Accessories: see accessories

