



Plug-in current transformers

for busbars 40 x 10 (12) mm

SWR-K 4010

Primary current 60 - 1000 A



Type SWR-K 4010

Width	70 mm
Depth	35 mm
Busbar size	40 x 10 / 30 x 15 mm
Round cond.	Ø 30 mm

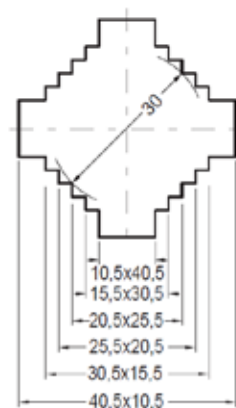
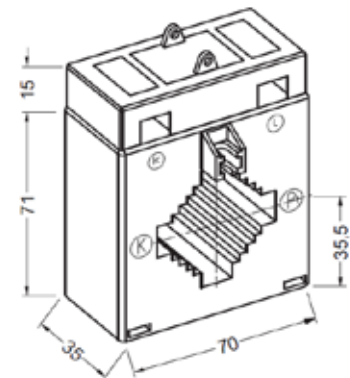
Accessories incl. foot fastening brackets
busbar fixing material
secondary terminal cover

Weight approx. 350 g
also possible in class 0,2; 0,2S und 0,5S



Types and variants

Primary current in A	VA	class 1		class 0,5	
		sec. 5 A	sec. 1 A	sec. 5 A	sec. 1 A
75	1,25	X	X	-	-
80	1,25	X	X	-	-
100	1,25	X	X	-	-
	2,5	X	X	-	-
125	1,25	-	-	X	X
	2,5	X	X	-	-
	3,75	X	X	-	-
150	1,25	-	-	X	X
	2,5	X	X	X	X
	5	X	X	-	-
200	2,5	X	X	X	X
	5	X	X	X	X
	7,5	X	X	-	-
250	2,5	X	X	X	X
	5	X	X	X	-
	10	X	-	-	-
300	2,5	X	X	X	X
	5	X	X	X	X
	7,5	-	X	-	-
	10	X	-	-	-
400	2,5	X	X	X	X
	5	X	X	X	X
	7,5	-	X	-	X
	10	X	-	X	-
500	5	X	X	X	X
	10	X	X	X	X
600	5	X	X	X	X
	10	X	X	X	X
750	5	X	X	X	X
	10	X	X	X	X
	15	X	X	X	X
800	5	X	X	X	X
	10	X	X	X	X
	15	X	X	X	X
1000	5	X	X	X	X
	10	X	X	X	X
	15	X	X	X	X



Accessories: see accessories