



Plug-in current transformers

for busbars 60 x 40 mm

SWR 6040

Primary current 200 - 2000 A



Type SWR 6040

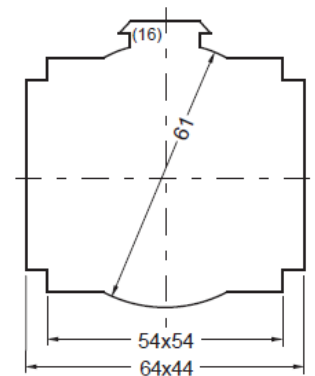
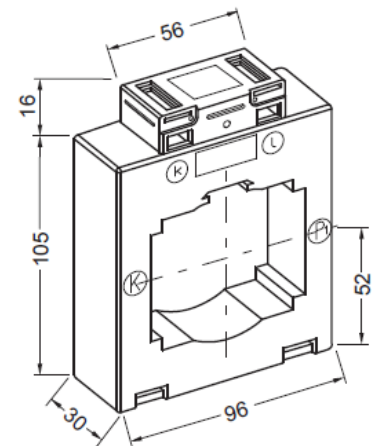
Width	96 mm
Depth	30 mm
Busbar size	60 x 40 / 50 x 50 mm
Round cond.	Ø 61 mm
Accessories incl.	busbar fixing material secondary terminal cover

Weight approx. 350 g
also possible in class 0,2; 0,2S und 0,5S



Types and variants

Primary current in A	VA	class 1		class 0,5	
		sec. 5 A	sec. 1 A	sec. 5 A	sec. 1 A
200	2,5	X	X	-	-
250	2,5	X	X	-	-
	3,75	X	-	-	-
300	2,5	X	X	X	X
	3,75	-	X	-	-
	5	X	-	-	-
400	2,5	X	X	X	X
	3,75	-	-	-	X
	5	X	X	X	-
500	2,5	X	X	X	X
	5	X	X	X	X
	7,5	X	X	-	X
600	2,5	X	X	X	X
	5	X	X	X	X
	7,5	-	-	X	X
	10	X	X	-	-
750	2,5	X	X	X	X
	5	X	X	X	X
	10	X	X	X	X
800	2,5	X	X	X	X
	5	X	X	X	X
	10	X	X	X	X
1000	2,5	X	X	X	X
	5	X	X	X	X
	10	X	X	X	X
1250	2,5	X	X	X	X
	5	X	X	X	X
	10	X	X	X	X
1500	2,5	-	X	-	X
	5	X	X	X	-
	10	X	X	-	-
	15	X	X	-	-
1600	5	X	-	-	-
	10	X	-	-	-
	15	X	-	-	-
2000	5	X	-	-	-
	10	X	-	-	-
	15	X	-	-	-



Accessories: see accessories

