



# Plug-in current transformers

for busbars 60 x 15 / 2 x 50 x 10 mm

## SWR 6010

Primary current 200 - 2500 A



### Type SWR 6010

|                    |                  |
|--------------------|------------------|
| <b>Width</b>       | 95 mm            |
| <b>Depth</b>       | 30 mm            |
| <b>Busbar size</b> | 60x15/2x50x10 mm |
| <b>Round cond.</b> | Ø 53 mm          |

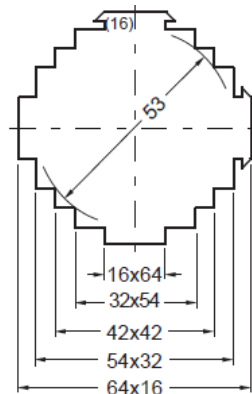
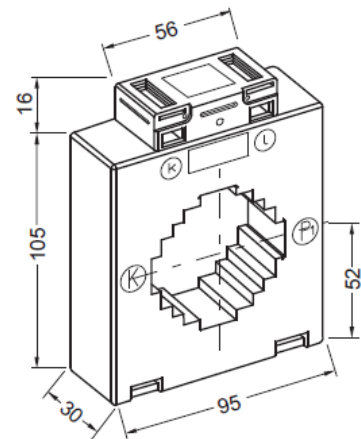
|                          |  |
|--------------------------|--|
| <b>Accessories incl.</b> | busbar fixing material<br>secondary terminal cover |
|--------------------------|--|

|               |   |
|---------------|---|
| <b>Weight</b> | approx. 500 g                             |
|               | also possible in class 0,2; 0,2S und 0,5S |



### Types and variants

| Primary current<br>in A | VA   | class 1  |          | class 0,5 |          |
|-------------------------|------|----------|----------|-----------|----------|
|                         |      | sec. 5 A | sec. 1 A | sec. 5 A  | sec. 1 A |
| 200                     | 2,5  | X        | X        | X         | X        |
|                         | 3,75 | X        | X        | -         | -        |
| 250                     | 2,5  | X        | X        | X         | X        |
|                         | 5    | X        | X        | X         | -        |
| 300                     | 2,5  | X        | X        | X         | X        |
|                         | 5    | X        | X        | X         | X        |
| 400                     | 2,5  | X        | X        | X         | X        |
|                         | 5    | X        | X        | X         | X        |
| 500                     | 5    | X        | X        | X         | X        |
|                         | 10   | X        | X        | X         | X        |
| 600                     | 5    | X        | X        | X         | X        |
|                         | 10   | X        | X        | X         | X        |
| 750                     | 5    | X        | X        | X         | X        |
|                         | 10   | X        | X        | X         | X        |
| 800                     | 5    | X        | X        | X         | X        |
|                         | 10   | X        | X        | X         | X        |
| 1000                    | 5    | X        | X        | X         | X        |
|                         | 10   | X        | X        | X         | X        |
| 1250                    | 5    | X        | X        | X         | X        |
|                         | 10   | X        | X        | X         | X        |
| 1500                    | 5    | X        | X        | X         | X        |
|                         | 10   | X        | X        | X         | X        |
| 1600                    | 5    | X        | X        | X         | X        |
|                         | 10   | X        | X        | X         | X        |
| 2000                    | 10   | X        | X        | X         | X        |
|                         | 15   | X        | X        | X         | X        |
| 2500                    | 10   | X        | -        | X         | -        |
|                         | 15   | X        | -        | X         | -        |



**Accessories:** see accessories

