



Plug-in current transformers

for busbars 50 x 12 / 2 x 40 x 10 mm

SWR 5010

Primary current 150 - 1500 A



Type SWR 5010

Width	85 mm
Depth	30 mm
Busbar size	50x10 / 2x40x10 mm
Round cond.	Ø 42 mm

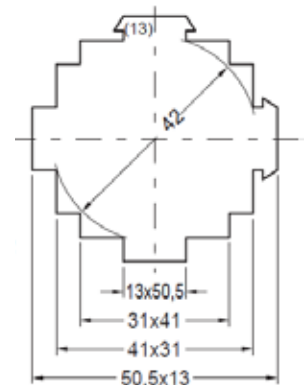
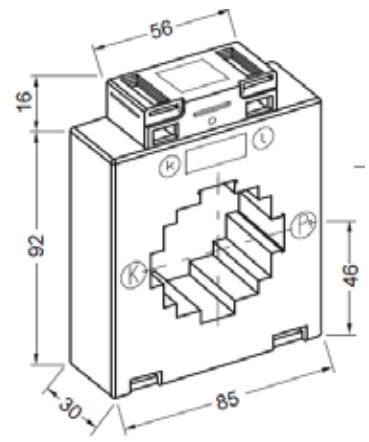
Accessories incl.	busbar fixing material secondary terminal cover
--------------------------	--

Weight	approx. 400 g
	also possible in class 0,2; 0,25 und 0,5S



Types and variants

Primary current in A	VA	class 1		class 0,5	
		sec. 5 A	sec. 1 A	sec. 5 A	sec. 1 A
150	2,5	X	X	-	-
200	2,5	X	X	X	X
	5	X	X	-	-
250	2,5	X	X	X	X
	5	X	X	X	-
300	10	X	-	-	-
	2,5	X	X	X	X
	5	X	X	X	X
400	7,5	-	-	X	X
	10	X	X	-	-
	5	X	X	X	X
500	10	X	X	X	X
	15	X	X	X	X
	5	X	X	X	X
600	10	X	X	X	X
	15	X	-	X	X
	5	X	X	X	X
750	10	X	X	X	X
	15	X	X	X	-
	5	X	X	X	X
800	10	X	X	X	X
	15	X	X	-	-
	30	X	X	X	X
1000	5	X	X	X	X
	10	X	X	X	X
	15	X	X	X	X
1250	30	X	X	X	X
	5	X	X	X	X
	10	X	X	X	X
1500	15	X	X	X	X
	30	X	X	-	-
	5	X	X	X	X



Accessories: see accessories

