



Plug-in current transformers

for busbars 30 x 10 (15) mm

SWR 3010

Primary current 50 - 750 A



Type SWR 3010

Width	60 mm
Depth	30 mm
Busbar size	30 x 10 (15) mm
Round cond.	Ø 28 mm

Accessories incl. foot fastening brackets
busbar fixing material
secondary terminal cover

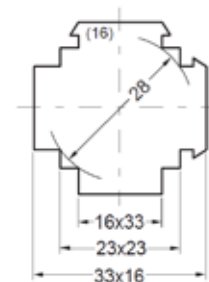
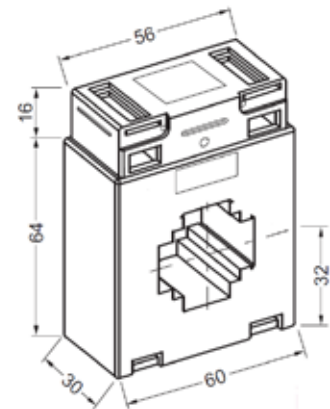
Weight approx. 300 g
also possible in class 0,2; 0,2S und 0,5S



Types and variants

Primary current in A	VA	class 1		class 0,5	
		sec. 5 A	sec. 1 A	sec. 5 A	sec. 1 A
50	1	X*	X*	-	-
60	1	X*	X*	-	-
75	1	X	-	-	-
	1,25	-	X	-	-
80	1,25	X	-	-	-
	1,5	-	X	-	-
100	1,25	-	-	-	X
	2,5	X	X	-	-
125	1,25	-	-	-	X
	2,5	X	X	-	-
	3,75	X	X	-	-
150	2,5	X	X	X	X
	3,75	X	X	-	-
	5	X	-	-	-
200	2,5	X	X	X	X
	3,75	-	-	-	X
	5	X	X	-	-
250	2,5	X	X	X	X
	5	X	X	X	X
	7,5	X	X	X	-
300	2,5	X	X	X	X
	5	X	X	X	X
	7,5	X	X	X	X
	10	X	-	-	-
400	5	X	X	X	X
	10	X	X	X	X
	15	X	-	-	-
500	5	X	X	X	X
	10	X	X	X	X
600	5	X	X	X	X
	10	X	X	X	X
750	5	X	X	X	X
	10	X	X	X	X
	15	X	-	X	-

* Class 3 only!!!



Accessories: see accessories