



Plug-in current transformers

for busbars 2 x 120 x 10 mm

SWR 12030

Primary current 400 - 4000 A



Type SWR 12030

Width	159 mm
Depth	30 mm
Busbar size	2x120x10 / 3x100x10 mm
Round cond.	Ø 96 mm

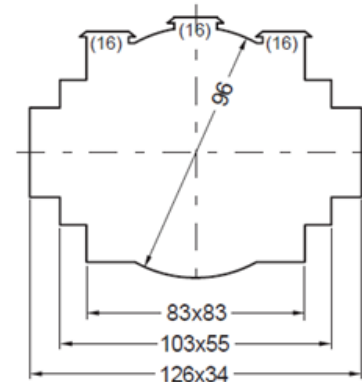
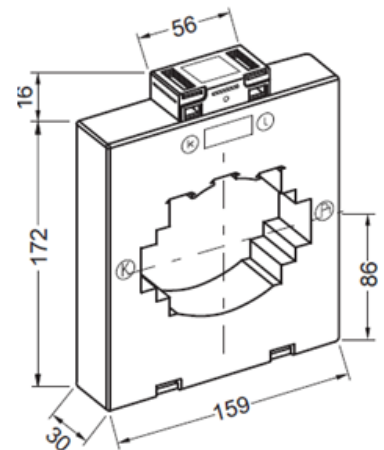
Accessories incl. busbar fixing material
secondary terminal cover

Weight approx. 900 g
also possible in class 0,2; 0,25 und 0,55



Types and variants

Primary current in A	VA	class 1		class 0,5	
		sec. 5 A	sec. 1 A	sec. 5 A	sec. 1 A
400	2,5	X	-	X	X
	5	X	X	-	X
500	5	X	X	X	X
	10	X	X	-	-
600	5	X	X	X	X
	10	X	X	-	X
750	5	X	X	X	X
	10	X	X	X	X
	15	X	X	X	X
800	5	X	X	X	X
	10	X	X	X	X
	15	X	X	X	X
1000	10	X	X	X	X
	15	X	X	X	X
	30	X	X	X	X
1250	10	X	X	X	X
	15	X	X	X	X
	20	X	X	X	X
1500	10	X	X	X	X
	15	X	X	X	X
	20	X	X	X	X
1600	10	X	X	X	X
	15	X	X	X	X
	30	X	X	-	-
2000	10	X	X	X	X
	15	X	X	X	X
	30	X	X	X	X
2500	10	X	X	X	X
	15	X	X	X	X
	30	X	X	X	X
3000	10	X	X	X	X
	15	X	X	X	X
	30	X	X	X	X
4000	10	X	X	X	X
	15	X	X	X	X
	30	X	X	X	X



Accessories: see accessories

