



# Plug-in current transformers

for busbars 2 x 100 x 10 mm

## SWR 10030

Primary current 400 - 4000 A



### Type SWR 10030

<b>Width</b>	129 mm
<b>Depth</b>	30 mm
<b>Busbar size</b>	2x100x10 / 80x60 mm
<b>Round cond.</b>	Ø 85 mm

<b>Accessories incl.</b>	busbar fixing material secondary terminal cover
--------------------------	--

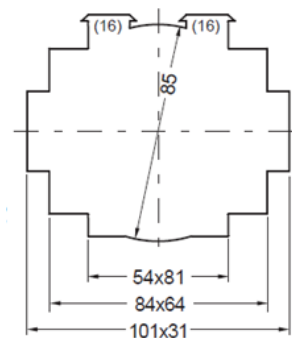
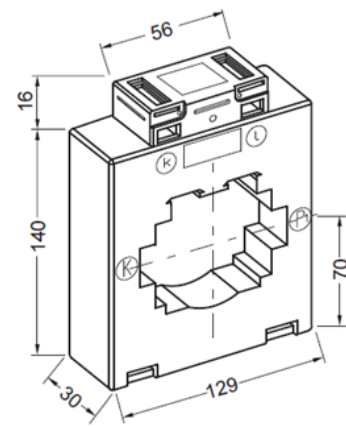
<b>Weight</b>	approx. 650 g
	also possible in class 0,2; 0,25 und 0,55



### Types and variants

Primary current in A	VA	class 1		class 0,5	
		sec. 5 A	sec. 1 A	sec. 5 A	sec. 1 A
400	2,5	X	X	X	X
	5	X	X	-	-
500	2,5	X	X	X	X
	5	X	X	X	X
600	5	X	X	X	X
	10	X	X	-	X
750	5	X	X	X	X
	10	X	X	X	X
800	5	X	X	X	X
	10	X	X	X	X
1000	5	X	X	X	X
	10	X	X	X	X
	15	X	X	X	-
1200	5	X	X	X	X
	10	X	X	X	X
	15	X	X	X	X
1250	5	X	X	X	X
	10	X	X	X	X
	15	X	X	X	X
1500	5	X	X	X	X
	10	X	X	X	X
	15	X	X	X	X
1600	5	X	X	X	X
	10	X	X	X	X
	15	X	X	X	X
2000	5	X	X	X	X
	10	X	X	X	X
	15	X	X	X	X
2500	5	X	X	X	X
	10	X	X	X	X
	15	X	X	X	X
3000*	5	X	X	X	X
	10	X	X	X	X
	15	X	X	X	X
4000*	5	X	-	X	-
	10	X	-	X	-
	15	X	-	X	-

\* I<sub>cth</sub>: 1,0 x I<sub>pr</sub>



**Accessories:** see accessories

