



# Plug-in current transformers

for busbar 30 x 10 mm

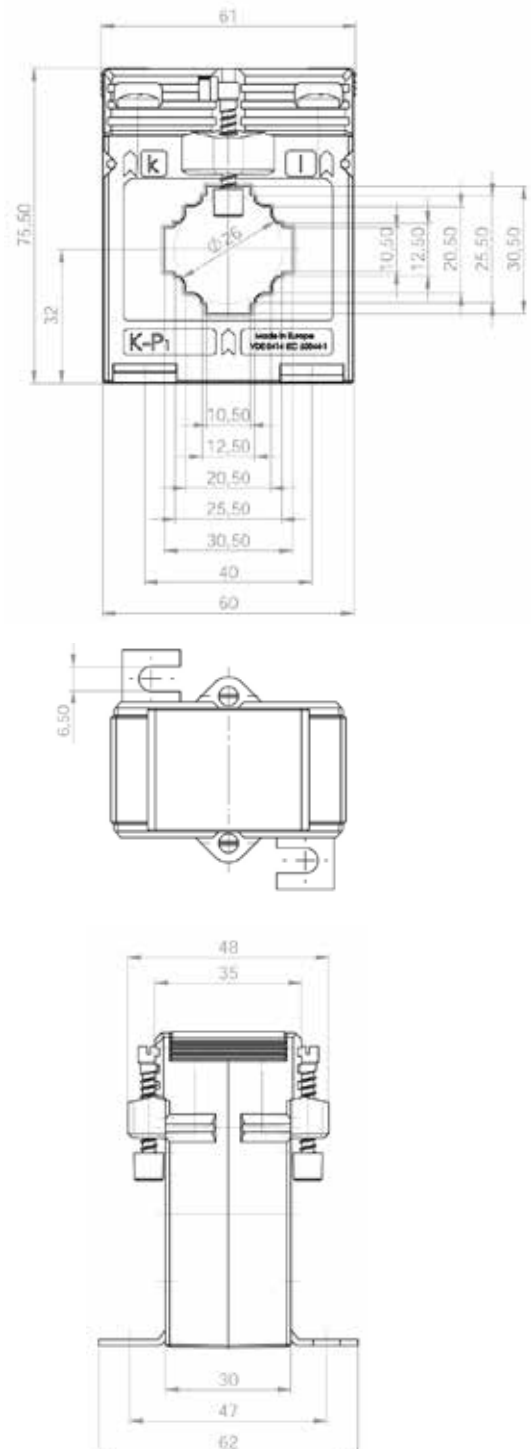
## SW-S 3010

### Type SW-S 3010

|                    |            |
|--------------------|------------|
| <b>Width</b>       | 60 mm      |
| <b>Depth</b>       | 30 / 48 mm |
| <b>Busbar size</b> | 30 x 10 mm |
| <b>Round cond.</b> | Ø 26 mm    |

|                          |  |
|--------------------------|--|
| <b>Accessories incl.</b> | foot fastening brackets<br>busbar fixing material<br>secondary terminal<br>cover |
|--------------------------|--|

|   |               |
|---|---------------|
| <b>Weight</b>   | approx. 300 g |
| Special design in class 0,2S and calibrated CTs on request. |               |



### Types and variants

| Primary current in A | VA   | class 1  |          | class 0,5 |          |
|----------------------|------|----------|----------|-----------|----------|
|                      |      | sec. 5 A | sec. 1 A | sec. 5 A  | sec. 1 A |
| 50                   | 1    | X        | X        | -         | -        |
|                      | 1,25 | -        | -        | -         | -        |
|                      | 1,5  | -        | -        | -         | -        |
| 60                   | 1    | X        | X        | -         | -        |
|                      | 1,25 | -        | -        | -         | -        |
|                      | 1,5  | -        | -        | -         | -        |
| 75                   | 1    | X        | X        | -         | -        |
|                      | 1,5  | X        | X        | -         | -        |
|                      | 2,5  | X        | X        | -         | -        |
| 80                   | 1,5  | X        | X        | -         | -        |
|                      | 2,5  | X        | X        | -         | -        |
| 100                  | 1,5  | X        | X        | X         | X        |
|                      | 2,5  | X        | X        | X         | X        |
|                      | 3,75 | -        | -        | -         | -        |
| 150                  | 1,5  | X        | X        | X         | X        |
|                      | 2,5  | X        | X        | X         | X        |
|                      | 5    | -        | -        | -         | -        |
| 200                  | 2,5  | X        | X        | X         | X        |
|                      | 5    | X        | X        | X         | -        |
|                      | 7,5  | -        | -        | -         | -        |
| 250                  | 2,5  | X        | X        | X         | X        |
|                      | 5    | X        | X        | X         | X        |
|                      | 10   | -        | -        | -         | -        |
| 300                  | 2,5  | X        | X        | X         | X        |
|                      | 5    | X        | X        | X         | X        |
|                      | 10   | -        | -        | -         | -        |
| 400                  | 2,5  | X        | X        | X         | X        |
|                      | 5    | X        | X        | -         | X        |
|                      | 10   | X        | X        | -         | -        |
| 500                  | 2,5  | X        | X        | X         | X        |
|                      | 5    | X        | X        | X         | X        |
|                      | 10   | X        | X        | X         | X        |
| 600                  | 5    | X        | X        | X         | X        |
|                      | 10   | X        | X        | -         | X        |
|                      | 15   | X        | X        | -         | -        |
| 750                  | 5    | X        | X        | X         | X        |
|                      | 10   | X        | X        | X         | X        |
|                      | 15   | X        | X        | -         | -        |

**Accessories:** see accessories