



Plug-in current transformers

for busbar 30 x 10 mm

SW-L 3010



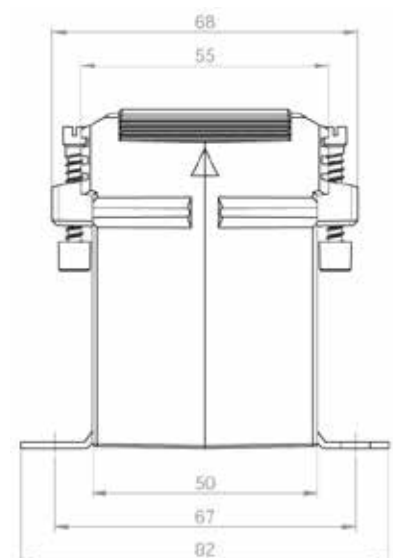
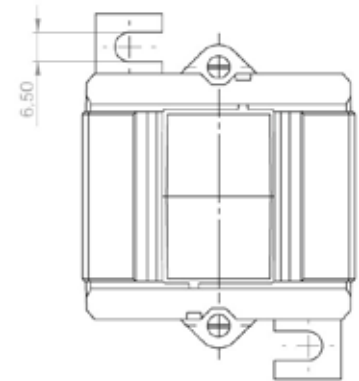
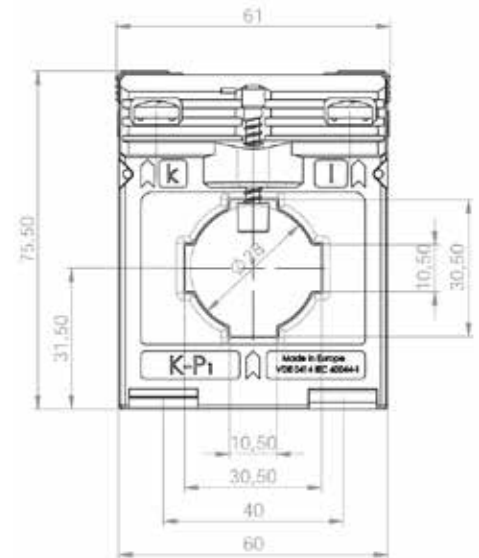
Type SW-L 3010

Width	60 mm
Depth	50 / 68 mm
Busbar size	30 x 10 mm
Round cond.	Ø 28 mm

Accessories incl.	foot fastening brackets busbar fixing material secondary terminal cover
--------------------------	--

Weight	approx. 400 g
---------------	---------------

Special design as calibrated CTs on request.



Types and variants

Primary current in A	VA	class 1		class 0,5	
		sec. 5 A	sec. 1 A	sec. 5 A	sec. 1 A
40	1	X	X	-	-
50	1,5	X	X	-	-
60	1	-	-	-	-
	1,5	X	X	-	-
75	2,5	X	X	-	-
	1,25	-	-	-	-
80	1,5	X	X	X	X
	2,5	X	X	X	X
	1,25	-	-	-	-
100	1,5	X	X	X	X
	2,5	X	X	X	X
	5	X	X	X	X
125	1,5	-	-	-	-
	2,5	-	-	-	-
150	2,5	-	-	X	X
	5	X	X	X	X
200	2,5	-	-	X	X
	5	X	X	X	X
250	10	X	X	X	X
	2,5	-	-	-	-
300	5	X	X	X	X
	10	X	X	X	X
	15	X	X	X	X
400	5	X	X	X	X
	10	X	X	X	X
	15	X	X	-	X
500	5	X	X	X	X
	10	X	X	X	X
	15	X	X	X	X
600	10	X	X	X	X
	15	X	X	X	X
750	10	X	X	X	X
	15	X	X	X	X

Accessories: see accessories