



# Plug-in current transformers

for busbar 30 x 10 mm

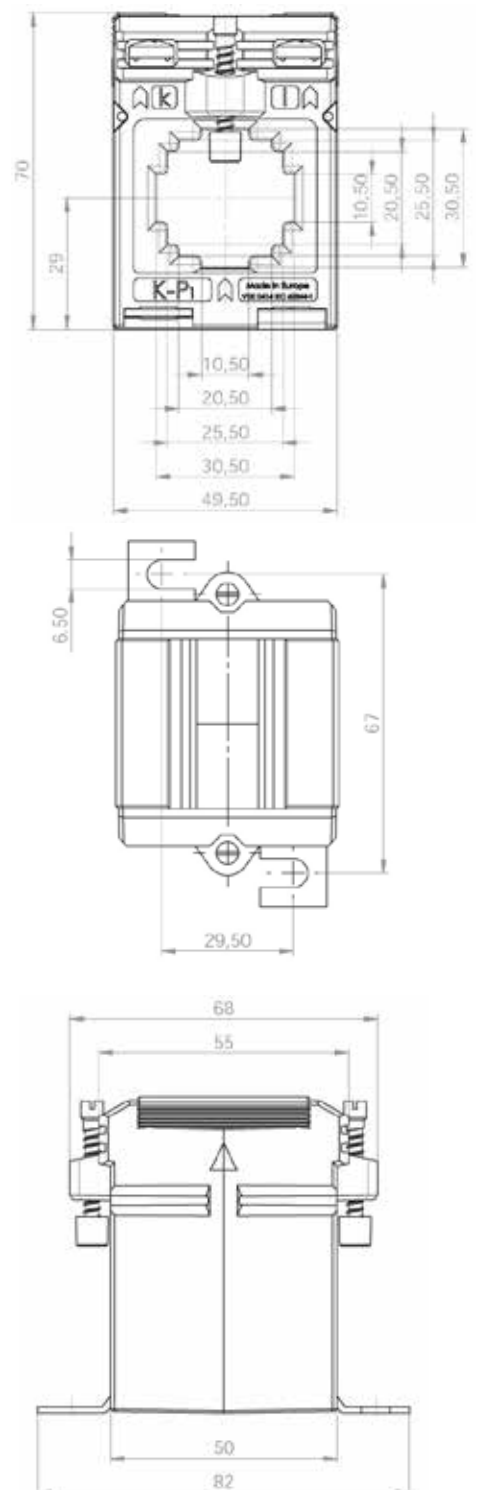
## SW-K 3010

### Type SW-K 3010

<b>Width</b>	50 mm
<b>Depth</b>	50 / 68 mm
<b>Busbar size</b>	30 x 10 mm
<b>Round cond.</b>	Ø 28 mm

**Accessories incl.** foot fastening brackets  
busbar fixing material  
secondary terminal cover

**Weight** approx. 400 g



### Types and variants

Primary current in A	VA	class 1		class 0,5	
		sec. 5 A	sec. 1 A	sec. 5 A	sec. 1 A
40	1	-	-	-	-
50	1,5	-	-	-	-
60	1	X	X	-	-
	1,5	-	-	-	-
75	2,5	-	-	-	-
	1,25	X	X	-	-
	1,5	-	-	-	-
80	2,5	-	-	-	-
	1,25	X	X	-	-
	1,5	-	-	-	-
100	2,5	-	-	-	-
	1,5	X	X	-	-
	5	-	-	-	-
125	1,5	X	X	-	X
	2,5	X	X	-	-
150	2,5	X	X	-	-
	5	-	-	-	-
	10	-	-	-	-
200	2,5	X	X	X	X
	5	-	-	-	-
	10	-	-	-	-
250	2,5	X	X	X	X
	5	-	X	-	-
	10	-	-	-	-
300	2,5	X	X	X	X
	5	X	X	-	-
	10	-	-	-	-
400	15	-	-	-	-
	5	X	X	X	X
	10	-	-	-	-
500	15	-	-	-	-
	5	X	X	X	X
	10	-	-	-	-
600	15	-	-	-	-
	10	-	-	-	-
750	15	-	-	-	-
	10	-	-	-	-

**Accessories:** see accessories