



Plug-in current transformers

for busbar 60 x 30 mm

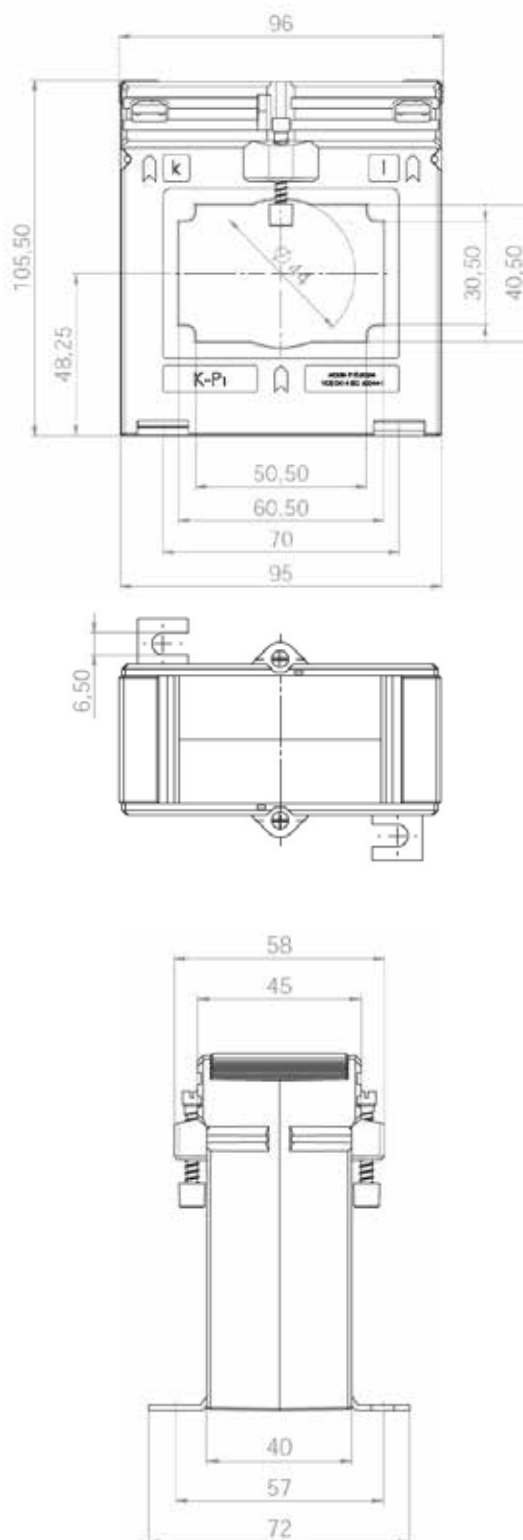
SW 6030

Type SW 6030

| | |
|--------------------|------------------|
| Width | 95 mm |
| Depth | 40 / 58 mm |
| Busbar size | 60x30 / 50x40 mm |
| Round cond. | Ø 44 mm |

| | |
|--------------------------|---|
| Accessories incl. | foot fastening brackets busbar fixing material secondary terminal cover |
|--------------------------|---|

| | |
|---------------|---------------|
| Weight | approx. 450 g |
|---------------|---------------|



Types and variants

| Primary current in A | VA | class 1 | | class 0,5 | |
|----------------------|-----|------------|------------|------------|------------|
| | | sec. 5 A | sec. 1 A | sec. 5 A | sec. 1 A |
| 200 | 1,5 | - | - | - | - |
| | 2,5 | - | - | - | - |
| 250 | 2,5 | - | - | - | - |
| | 5 | - | - | - | - |
| 300 | 1,5 | X | X | X | X |
| | 2,5 | X | X | X | X |
| | 5 | - | - | - | - |
| 400 | 2,5 | X | X | X | X |
| | 5 | X | X | X | X |
| | 10 | - | - | - | - |
| 500 | 5 | X | X | X | X |
| | 10 | X | X | - | - |
| | 15 | - | - | - | - |
| 600 | 5 | X | X | X | X |
| | 10 | X | X | X | X |
| | 15 | X | X | - | - |
| 750 | 5 | X | X | X | X |
| | 10 | X | X | X | X |
| | 15 | X | X | X | X |
| 800 | 5 | X | X | X | X |
| | 10 | X | X | X | X |
| | 15 | X | X | X | X |
| 1000 | 5 | X | X | X | X |
| | 10 | X | X | X | X |
| | 15 | X | X | X | X |
| 1200 | 5 | X | X | X | X |
| | 10 | X | X | X | X |
| | 15 | X | X | X | X |
| | 30 | - | - | - | - |
| 1250 | 10 | X | X | X | X |
| | 15 | X | X | X | X |
| | 30 | - | - | - | - |
| 1500 | 10 | X | X | X | X |
| | 15 | X | X | X | X |
| | 30 | - | - | - | - |
| 1600 | 10 | on request | on request | on request | on request |
| | 15 | on request | on request | on request | on request |
| | 30 | - | - | - | - |

Accessories: see accessories