



Plug-in current transformers

for busbar 60 x 13 mm

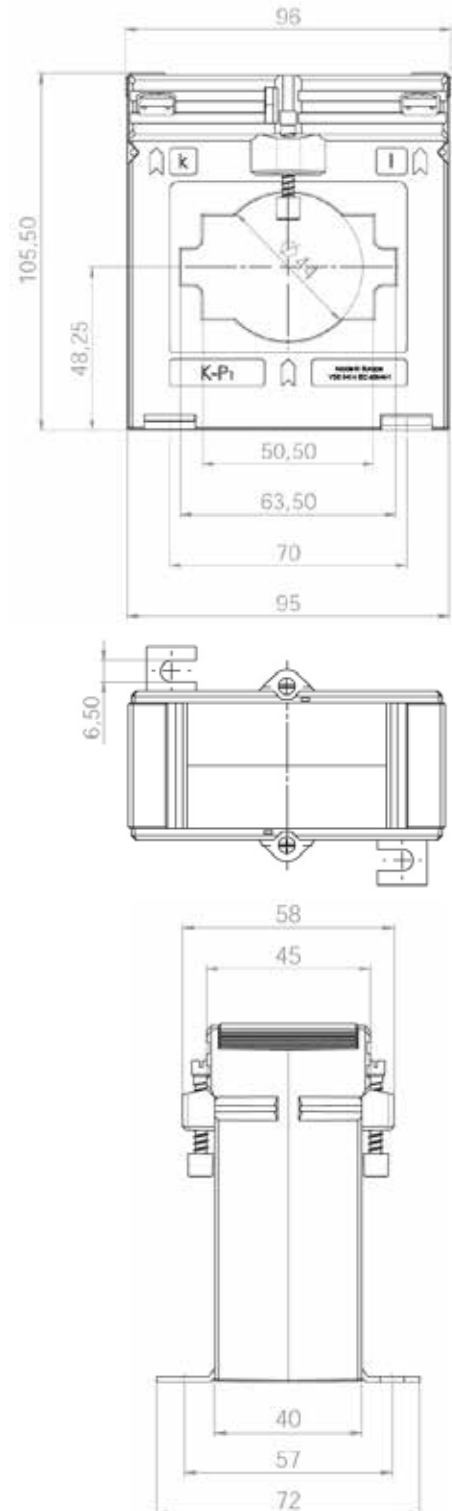
SW 6010

Type SW 6010

Width	95 mm
Depth	40 / 58 mm
Busbar size	63x10 / 2x50x10 mm
Round cond.	Ø 44 mm

Accessories incl. foot fastening brackets
busbar fixing material
secondary terminal
cover

Weight approx. 450 g
Special design in class 0,2S and calibrated
CTs on request.



Types and variants

Primary current in A	VA	class 1		class 0,5	
		sec. 5 A	sec. 1 A	sec. 5 A	sec. 1 A
200	1,5	X	X	X	X
	2,5	X	X	X	X
250	2,5	X	X	X	X
	5	X	X	-	-
300	1,5	-	-	-	-
	2,5	X	X	X	X
	5	X	X	X	X
400	2,5	X	X	X	X
	5	X	X	X	X
	10	X	X	X	X
500	5	X	X	X	X
	10	X	X	X	X
	15	X	X	-	-
600	5	X	X	X	X
	10	X	X	X	X
	15	X	X	X	X
750	5	X	X	X	X
	10	X	X	X	X
	15	X	X	X	X
800	5	X	X	X	X
	10	X	X	X	X
	15	X	X	X	X
1000	5	X	X	X	X
	10	X	X	X	X
	15	X	X	X	X
1200	5	-	-	-	-
	10	X	X	X	X
	15	X	X	X	X
	30	X	X	X	X
1250	10	X	X	X	X
	15	X	X	X	X
	30	X	X	X	X
1500	10	X	X	X	X
	15	X	X	X	X
	30	X	X	X	X
1600	10	X	X	X	X
	15	X	X	X	X
	30	X	X	X	X

Accessories: see accessories