



Plug-in current transformers

for busbar 2 x 50 x 10 / 60 x 10 mm

SW 5010

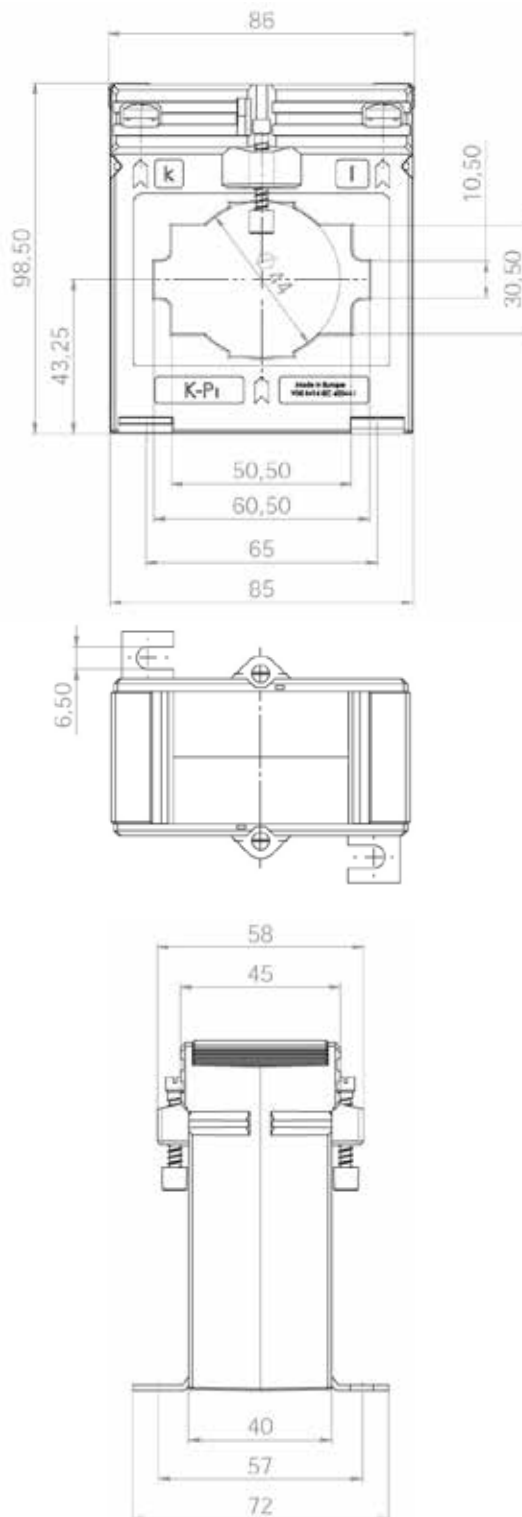


Type SW 5010

Width	85 mm
Depth	40 / 58 mm
Busbar size	60x10/30x40/2x50x10 mm
Round cond.	Ø 44 mm

Accessories incl. foot fastening brackets
busbar fixing material
secondary terminal
cover

Weight approx. 450 g



Types and variants

Primary current in A	VA	class 1		class 0,5	
		sec. 5 A	sec. 1 A	sec. 5 A	sec. 1 A
100	1,5	-	-	-	-
150	1,5	-	-	-	-
	2,5	-	-	-	-
200	2,5	X	X	-	-
	5	-	-	-	-
250	2,5	X	X	-	-
	5	X	X	-	-
	10	-	-	-	-
300	2,5	X	X	X	X
	5	X	X	-	-
	10	-	-	-	-
400	2,5	X	X	X	X
	5	X	X	X	X
	10	X	X	-	-
500	5	X	X	X	X
	10	X	X	-	-
	15	X	X	-	-
600	5	X	X	X	X
	10	X	X	X	X
	15	X	X	-	-
750	5	X	X	X	X
	10	X	X	X	X
	15	X	X	-	-
800	5	X	X	X	X
	10	X	X	X	X
	15	X	X	X	X
1000	10	X	X	X	X
	15	X	X	X	X
	30	X	X	-	-
1200	10	X	X	X	X
	15	X	X	X	X
	30	X	X	-	-
1250	10	X	X	X	X
	15	X	X	X	X
	30	-	-	-	-

Accessories: see accessories