



Plug-in current transformers

for busbar 40 x 10 / 40 x 12 mm

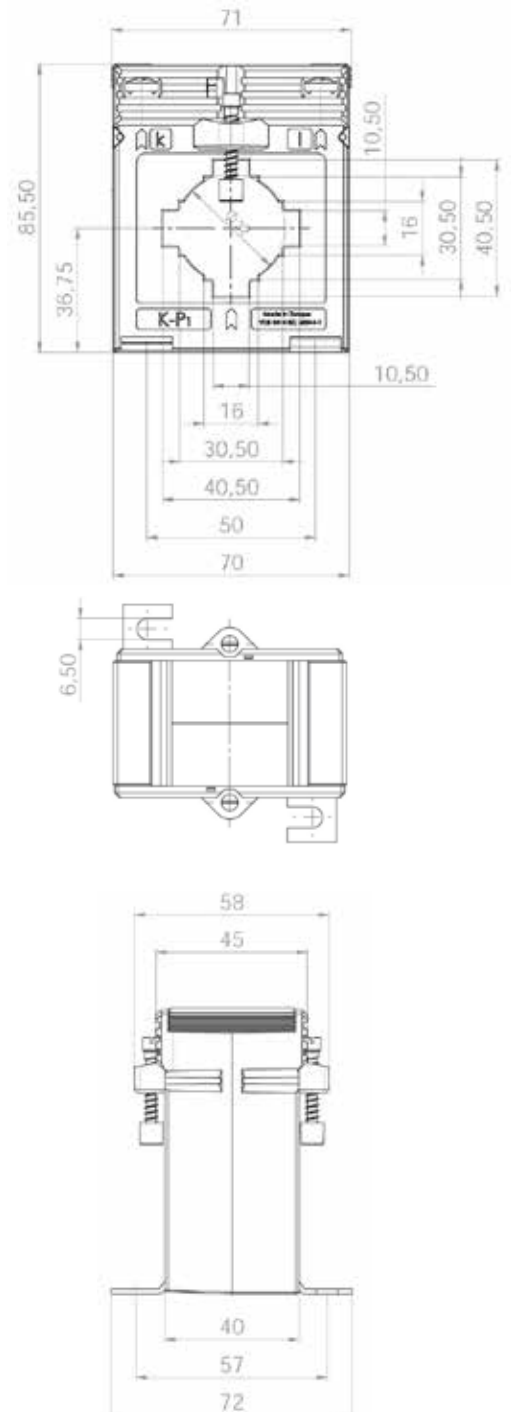
SW 4010

Type SW 4010

Width	70 mm
Depth	40 / 58 mm
Busbar size	40x10 / 2x30x5 mm
Round cond.	Ø 32 mm

Accessories incl. foot fastening brackets
busbar fixing material
secondary terminal
cover

Weight approx. 370 g
Special design in class 0,2S and calibrated
CTs on request.



Types and variants

Primary current in A	VA	class 1		class 0,5	
		sec. 5 A	sec. 1 A	sec. 5 A	sec. 1 A
50	1,5	X	X	-	-
60	1,5	X	X	-	-
75	1,5	X	X	-	-
80	2,5	X	X	-	-
100	1,5	X	X	X	X
	2,5	X	X	X	X
150	1,5	X	X	X	X
	2,5	X	X	X	X
	5	X	X	X	X
200	2,5	X	X	X	X
	5	X	X	X	X
	10	X	X	-	-
250	2,5	X	X	X	X
	5	X	X	X	X
	10	X	X	-	-
300	2,5	X	X	X	X
	5	X	X	X	X
	10	X	X	X	X
400	2,5	X	X	X	X
	5	X	X	X	X
	10	X	X	X	X
500	5	X	X	X	X
	10	X	X	X	X
	15	X	X	X	X
600	5	X	X	X	X
	10	X	X	X	X
	15	X	X	-	-
750	5	X	X	X	X
	10	X	X	X	X
	15	X	X	-	X
800	5	X	X	X	X
	10	X	X	X	X
	15	X	X	-	-
1000	5	X	X	X	X
	10	X	X	X	X

Accessories: see accessories