



Plug-in current transformers

for busbar 30 x 10 mm

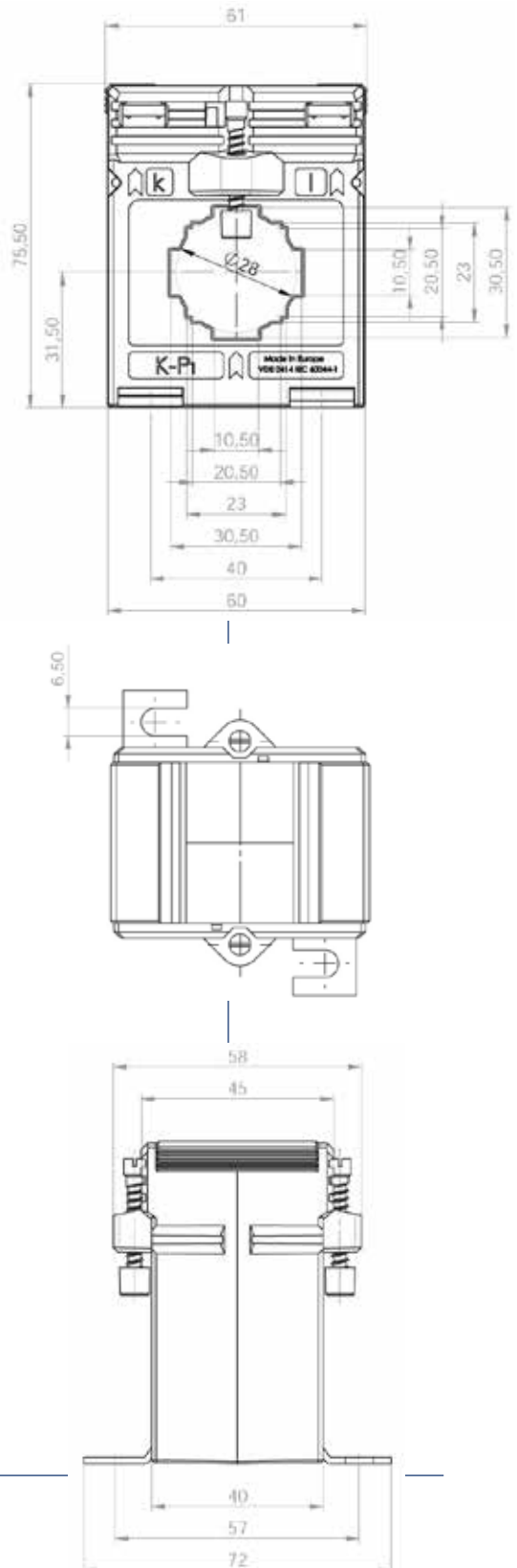
SW 3010

Type SW 3010

Width	60 mm
Depth	40 / 58 mm
Busbar size	30 x 10 mm
Round cond.	Ø 28 mm

Accessories incl. foot fastening brackets
busbar fixing material
secondary terminal cover

Weight approx. 350 g
Special design in class 0,2S and calibrated CTs on request.



Types and variants

Primary current in A	VA	class 1		class 0,5	
		sec. 5 A	sec. 1 A	sec. 5 A	sec. 1 A
50	1	-	-	-	-
	1,25	X	X	-	-
	1,5	X	-	-	-
60	1	-	-	-	-
	1,25	X	X	-	-
	1,5	X	X	-	-
75	1	-	-	-	-
	1,5	X	X	-	-
	2,5	X	X	-	-
80	1,5	X	X	-	-
	2,5	X	X	-	-
100	1,5	-	-	X	X
	2,5	X	X	X	X
	3,75	X	X	-	-
150	1,5	-	-	-	-
	2,5	X	X	X	X
	5	X	X	X	-
200	2,5	X	X	X	X
	5	X	X	-	X
	7,5	X	X	-	-
250	2,5	X	X	X	X
	5	X	X	X	X
	10	X	X	-	-
300	2,5	X	X	X	X
	5	X	X	X	X
	10	X	X	X	X
400	2,5	X	X	X	X
	5	X	X	X	X
	10	X	X	X	X
500	2,5	X	X	X	X
	5	X	X	X	X
	10	X	X	X	X
600	5	X	X	X	X
	10	X	X	X	X
	15	X	X	X	X
750	5	X	X	X	X
	10	X	X	X	X
	15	X	X	X	X

Accessories: see accessories