



Plug-in current transformers

for busbar 20 x 10 mm

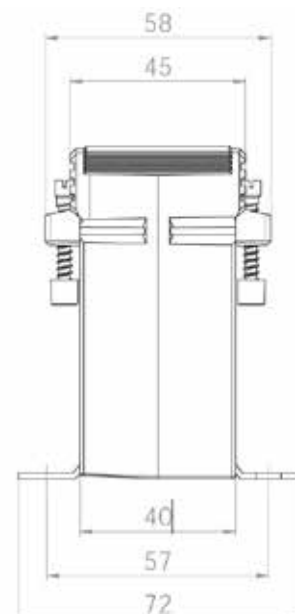
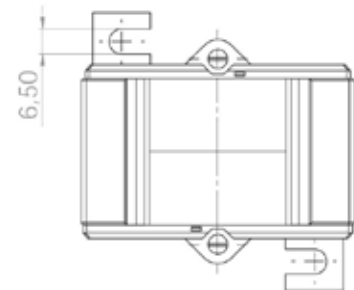
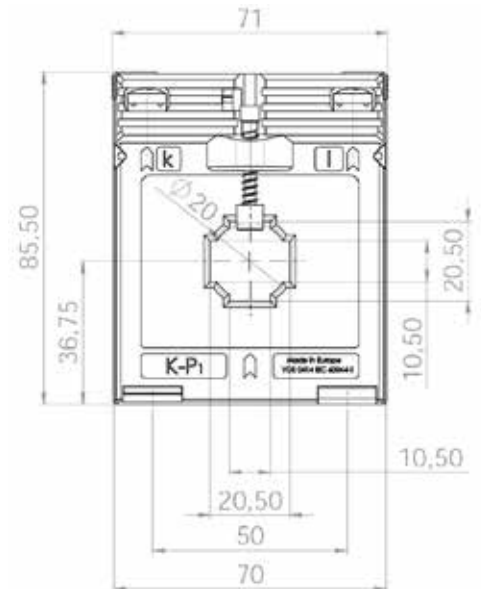
SW 2010

Type SW 2010

Width	70 mm
Depth	40 / 58 mm
Busbar size	20 x 10 mm
Round cond.	Ø 20 mm

Accessories incl. foot fastening brackets
busbar fixing material
secondary terminal cover

Weight approx. 500 g



Types and variants

Primary current in A	VA	class 1		class 0,5	
		sec. 5 A	sec. 1 A	sec. 5 A	sec. 1 A
40	1,5	X	X	X	X
50	1	-	-	-	-
	1,5	X	X	X	X
	2,5	-	X	-	-
60	1	-	-	-	-
	1,5	X	X	X	X
	2,5	X	X	X	X
75	1,5	-	-	-	-
	2,5	X	X	X	X
	3,75	X	X	-	-
80	1,5	-	-	-	-
	2,5	X	X	X	X
	3,75	X	X	X	X
100	1,5	-	-	-	-
	2,5	X	X	X	X
	5	X	X	-	-
125	2,5	X	X	X	X
	5	X	X	X	X
	150	2,5	X	X	X
200	5	X	X	X	X
	2,5	-	-	-	-
	5	X	X	X	X
250	10	X	X	X	X
	2,5	-	-	-	-
	5	X	X	X	X
300	10	X	X	X	X
	2,5	-	-	-	-
	5	X	X	X	X
400	10	X	X	X	X
	5	X	X	X	X
500	10	X	X	X	X
	5	X	X	X	X

Accessories: see accessories