



Plug-in current transformers

for busbar 100 x 55 / 2 x 100 x 10 mm

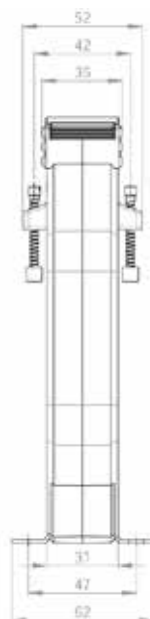
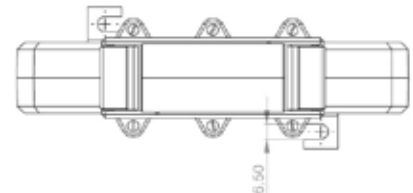
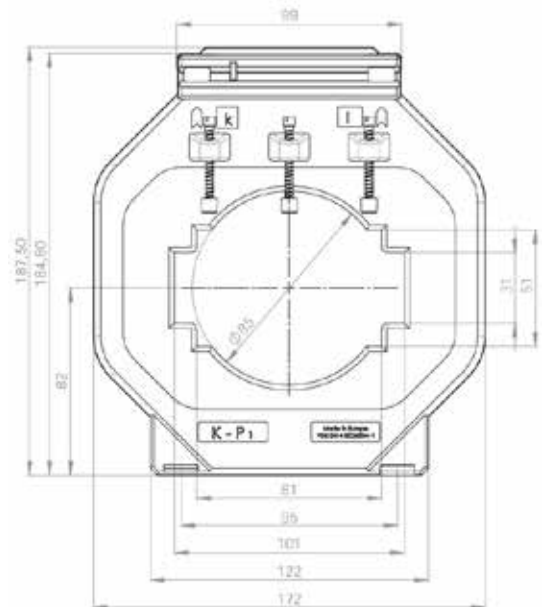
SW 20010

Type SW 20010

Width	172 mm
Depth	30 / 48 mm
Busbar size	2x100x10 / 3x80x10 mm
Round cond.	Ø 85 mm

Accessories incl. foot fastening brackets
busbar fixing material
secondary terminal cover

Weight approx. 750 g



Types and variants

Primary current in A	VA	class 1		class 0,5	
		sec. 5 A	sec. 1 A	sec. 5 A	sec. 1 A
600	5	-	-	-	-
	10	-	-	-	-
750	5	X	X	X	X
	10	X	X	-	-
800	5	-	-	-	-
	10	X	X	X	X
	15	X	X	-	-
1000	5	-	-	-	-
	10	X	X	X	X
	15	X	X	X	X
1200	5	-	-	-	-
	10	X	X	X	X
	15	X	X	X	X
1250	5	-	-	-	-
	10	X	X	X	X
	15	X	X	X	X
1500	10	X	X	X	X
	15	X	X	X	X
	30	X	X	-	-
1600	10	X	X	X	X
	15	X	X	X	X
	30	X	X	-	-
2000	10	X	X	X	X
	15	X	X	X	X
	30	X	X	X	X
2500	10	X	X	X	X
	15	X	X	X	X
	30	X	X	X	X
3000	10	X	X	X	X
	15	X	X	X	X
	30	X	X	X	X

Accessories: see accessories