



Plug-in current transformers

for busbar 100 x 55 mm

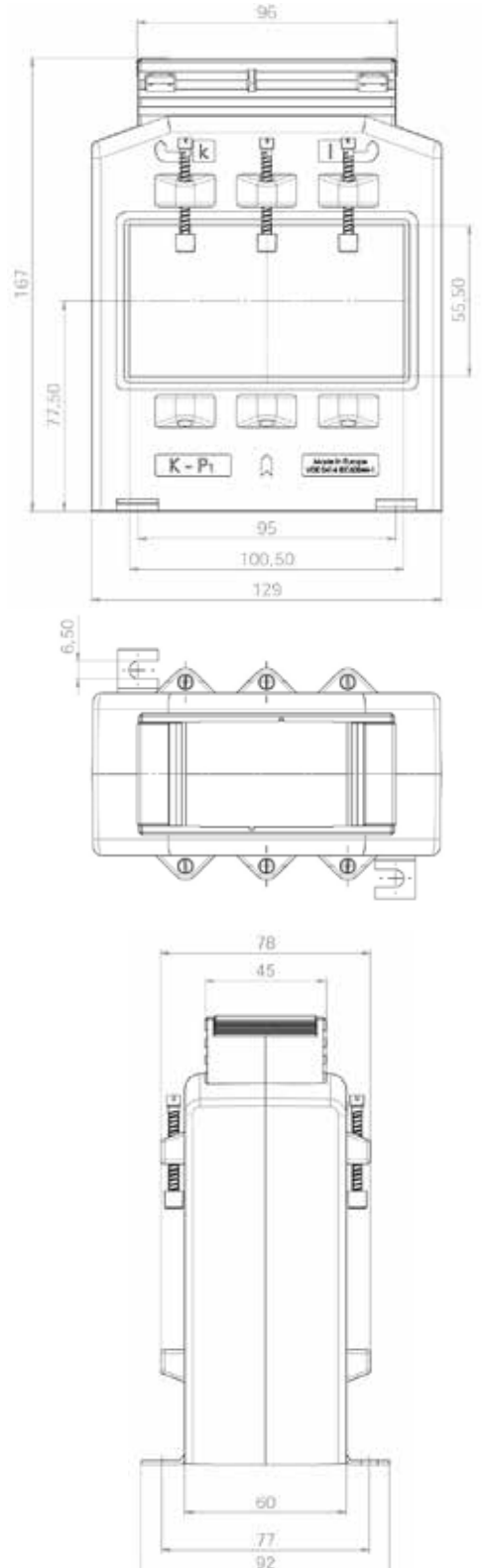
SW 10055

Type SW 10055

Width	129 mm
Depth	60 / 78 mm
Busbar size	100 x 55 mm
Round cond.	Ø 55 mm

Accessories incl. foot fastening brackets
busbar fixing material
secondary terminal cover

Weight approx. 1000 g
Special design in class 0,2S and calibrated CTs on request.



Types and variants

Primary current in A	VA	class 1		class 0,5	
		sec. 5 A	sec. 1 A	sec. 5 A	sec. 1 A
600	5	X	X	X	X
	10	X	X	-	-
750	5	X	X	X	X
	10	X	X	X	X
800	5	X	X	X	X
	10	X	X	X	X
	15	-	-	-	-
1000	5	X	X	X	X
	10	X	X	X	X
	15	X	X	X	X
1200	5	X	X	X	X
	10	X	X	X	X
	15	X	X	X	X
1250	5	X	X	X	X
	10	X	X	X	X
	15	X	X	X	X
1500	10	X	X	X	X
	15	X	X	X	X
	30	X	X	X	X
1600	10	X	X	X	X
	15	X	X	X	X
	30	X	X	X	X
2000	10	X	X	X	X
	15	X	X	X	X
	30	X	X	X	X
2500	10	X	X	X	X
	15	X	X	X	X
	30	X	X	X	X
3000	10	X	X	X	X
	15	X	X	X	X
	30	X	X	X	X

Accessories: see accessories