



# Plug-in current transformers

for busbar 30 x 10 mm

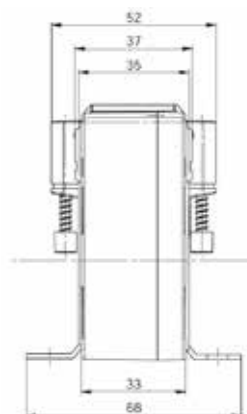
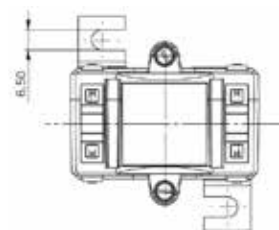
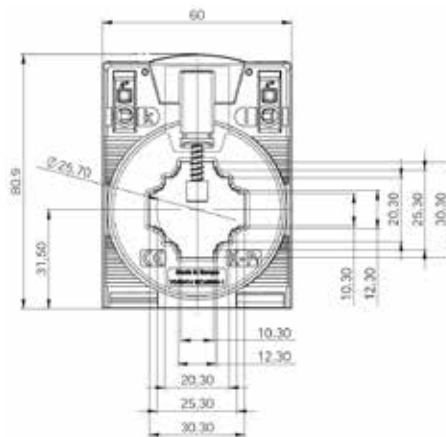
## CSW 31

### Type CSW 31

<b>Width</b>	60 mm
<b>Depth</b>	35 / 52 mm
<b>Busbar size</b>	30x10 / 25x12 mm
<b>Round cond.</b>	Ø 25,7 mm

**Accessories incl.** foot fastening brackets  
busbar fixing material

**Weight** approx. 250 g  
Special design as calibrated CTs on request.



### Types and variants

Primary current in A	VA	class 1		class 0,5	
		sec. 5 A	sec. 1 A	sec. 5 A	sec. 1 A
60	1,25	X	X	-	-
75	2,5	X	X	-	-
80	2,5	X	X	-	-
100	2,5	X	X	-	-
125	1,5	-	-	X	X
	2,5	X	X	-	-
150	2,5	-	-	X	X
	5	X	X	-	-
200	1,5	-	-	-	-
	2,5	-	-	X	X
	5	X	X	-	-
250	2,5	-	-	-	-
	5	X	X	X	X
300	2,5	-	-	-	-
	5	X	X	X	X
	10	X	X	-	-
400	5	X	X	X	X
	10	X	X	X	X
500	5	X	X	X	X
	10	X	X	X	X
600	5	X	X	X	X
	10	X	X	X	X
750	5	X	X	X	X
	10	X	X	X	X
800	5	-	-	-	-
	10	-	-	-	-
1000	5	-	-	-	-
	10	-	-	-	-

**Accessories:** see accessories