



# Plug-in current transformers

for busbar 100 x 10 mm

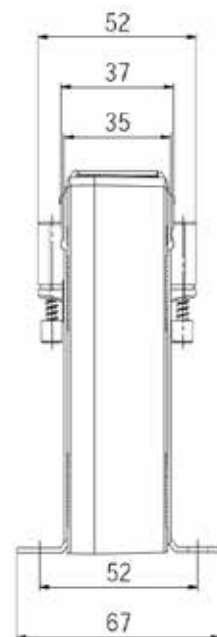
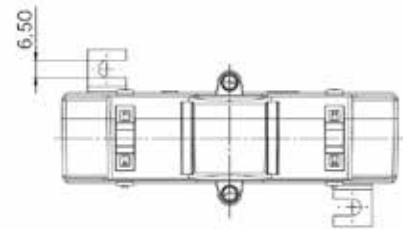
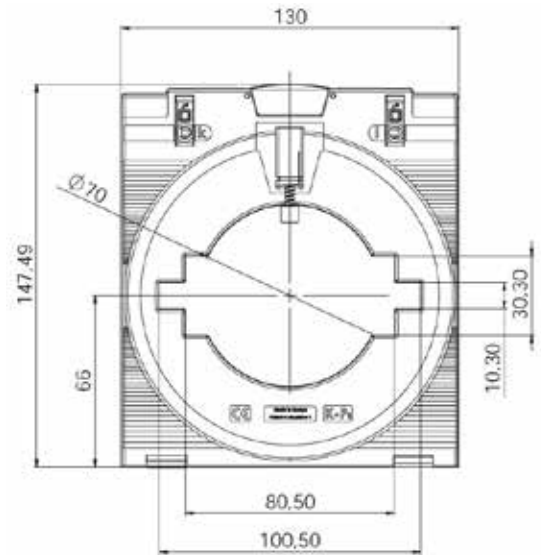
## CSW 101

### Type CSW 101

<b>Width</b>	130 mm
<b>Depth</b>	35 / 52 mm
<b>Busbar size</b>	100x10 / 80x30 mm
<b>Round cond.</b>	Ø 70 mm

**Accessories incl.** foot fastening brackets  
busbar fixing material

**Weight** approx. 550 g  
Special design as calibrated CTs on request.



### Types and variants

Primary current in A	VA	class 1		class 0,5	
		sec. 5 A	sec. 1 A	sec. 5 A	sec. 1 A
400	2,5	-	-	X	X
	5	X	X	-	-
500	2,5	-	-	-	-
	5	X	X	X	X
600	5	-	-	X	X
	10	X	X	-	-
750	5	X	X	X	X
	10	X	X	X	X
800	5	X	X	X	X
	10	X	X	X	X
1000	5	X	X	X	X
	10	X	X	X	X
1200	5	X	X	X	X
	10	X	X	X	X
1250	5	X	X	X	X
	10	X	X	X	X
1500	5	-	-	-	-
	10	X	X	X	X
	15	X	X	X	X
1600	5	-	-	-	-
	10	X	X	X	X
	15	X	X	X	X
2000	10	X	X	X	X
	15	X	X	X	X
2500	10	X	X	X	X
	15	X	X	X	X

**Accessories:** see accessories