

Switch position indicators LED version



Type:
SUS-..



Application

Switch position indicators in LED version are used to report the switching status in electrical systems. You can both in symbolic circuit diagrams of switchgear as well as in measuring and control rooms.



Function

The switch position indicators of the SUS series are equipped with different colored LEDs. The LEDs are controlled via different terminals.

The switch position indicators are available in round and square designs from 25 to 39 mm. They are installed using a union nut.

Technical data

Dimensions	see "types and variants"
Nominal voltage	12 - 230V AC or 12 - 220V DC (see "types and variants")
Rated current	max. 20 mA per input
Temperature range	-25 to +55 °C
max. cabinet thickness	12 mm
Degree of protection	front IP65, connections IP20
Standards	EN 61 010-1, EN 60598-1, EN 60598-2-2



Types and variants

Individual descriptions of the different types from page 219!

Type	Front bezel	Mouting cut-out	nut	Voltage AC	Voltage DC	LED color	connection
SUS-01	Ø 25 mm	Ø 22 mm	M 22 x 1,5	12-230 V	12-220 V	R/G *	screw connect. 2,5 mm ²
SUS-01-Q	25x25 mm	Ø 22 mm	M 22 x 1,5	12-230 V	12-220 V	R/G *	screw connect. 2,5 mm ²
SUS-01-T	Ø 25 mm	Ø 22 mm	M 22 x 1,5	12-230 V	12-220 V	R/G *	Faston term. 2,86x0,8 mm
SUS-01-T-Q	25x25 mm	Ø 22 mm	M 22 x 1,5	12-230 V	12-220 V	R/G *	Faston term. 2,86x0,8 mm
SUS-02	Ø 20 mm	Ø 16 mm	M 16 x 1	12-230 V	12-220 V	R/G *	screw connect. 2,5 mm ²
SUS-02-Q	20x20 mm	Ø 16 mm	M 16 x 1	12-230 V	12-220 V	R/G *	screw connect. 2,5 mm ²
SUS-02-T	Ø 20 mm	Ø 16 mm	M 16 x 1	12-230 V	12-220 V	R/G *	Faston term. 2,86x0,8 mm
SUS-02-T-Q	20x20 mm	Ø 16 mm	M 16 x 1	12-230 V	12-220 V	R/G *	Faston term. 2,86x0,8 mm
SUS-03-T	Ø 25 mm	Ø 22 mm	M 22 x 1,5	12-230 V	12-220 V	R/G *	Faston term. 2,86x0,8 mm
SUS-03-T-Q	25x25 mm	Ø 22 mm	M 22 x 1,5	12-230 V	12-220 V	R/G *	Faston term. 2,86x0,8 mm
SUS-09	Ø 32 mm	Ø 22 mm	M 22 x 1	12-230 V	12-220 V	R/G *	screw connect. 2,5 mm ²
SUS-09-Q	32x32 mm	Ø 22 mm	M 22 x 1	12-230 V	12-220 V	R/G *	screw connect. 2,5 mm ²
SUS-95	Ø 39 mm	Ø 22 mm	M 22 x 1	12-230 V	12-220 V	R/G *	screw connect. 2,5 mm ²
SUS-95-Q	39x39 mm	Ø 22 mm	M 22 x 1	12-230 V	12-220 V	R/G *	screw connect. 2,5 mm ²
SUS-95-L	Ø 39 mm	Ø 22 mm	M 22 x 1	24/48/60 V	24/48/60 V	R/G	screw connect. 2,5 mm ²
SUS-95-L-Q	39x39 mm	Ø 22 mm	M 22 x 1	24/48/60 V	24/48/60 V	R/G	screw connect. 2,5 mm ²
SUS-99	Ø 32 mm	Ø 22 mm	M 22 x 1	12-230 V	12-220 V	R/G *	screw connect. 2,5 mm ²
SUS-99-Q	32x32 mm	Ø 22 mm	M 22 x 1	12-230 V	12-220 V	R/G *	screw connect. 2,5 mm ²
SUS-99-L	Ø 32 mm	Ø 22 mm	M 22 x 1	24/48/60 V	24/48/60 V	R/G	screw connect. 2,5 mm ²
SUS-99-L-Q	32x32 mm	Ø 22 mm	M 22 x 1	24/48/60 V	24/48/60 V	R/G	screw connect. 2,5 mm ²

LED color *: R/G = red / green; with * other colors are possible - see individual description



SUS-01 / SUS-01-Q

Installation depth: 58 mm
 Front dimension: Ø 25 mm / 25x25 mm square

Picture	Dimensions	LED colors	AC voltages	DC voltage												
		<table border="1"> <tr><td></td><td>R</td></tr> <tr><td></td><td>G</td></tr> <tr><td></td><td>B</td></tr> <tr><td></td><td>Y</td></tr> <tr><td></td><td>W</td></tr> <tr><td></td><td>O</td></tr> </table>		R		G		B		Y		W		O	12 V 24 V 48 V 60 V 110 V 125 V 230 V	12 V 24 V 48 V 60 V 110 V 125 V 220 V
	R															
	G															
	B															
	Y															
	W															
	O															
		<table border="1"> <tr><td></td><td>R</td></tr> <tr><td></td><td>G</td></tr> <tr><td></td><td>B</td></tr> <tr><td></td><td>Y</td></tr> <tr><td></td><td>W</td></tr> <tr><td></td><td>O</td></tr> </table>		R		G		B		Y		W		O	12 V 24 V 48 V 60 V 110 V 125 V 230 V	12 V 24 V 48 V 60 V 110 V 125 V 220 V
	R															
	G															
	B															
	Y															
	W															
	O															

Distance between the mounting holes at least 30 mm!!!

Example for ordering:

SUS-01-Q-R/G-110V-DC SUS-01 = Type / Size
 -Q = Front (square)
 -R/G = Color red/green
 -110V = Voltage
 -DC = Direct voltage

SUS-01-T / SUS-01-T-Q

Installation depth: 48 mm
 Front dimension: Ø 25 mm / 25x25 mm square

Picture	Dimensions	LED colors	AC voltages	DC voltage												
		<table border="1"> <tr><td></td><td>R</td></tr> <tr><td></td><td>G</td></tr> <tr><td></td><td>B</td></tr> <tr><td></td><td>Y</td></tr> <tr><td></td><td>W</td></tr> <tr><td></td><td>O</td></tr> </table>		R		G		B		Y		W		O	12 V 24 V 48 V 60 V 110 V 125 V 230 V	12 V 24 V 48 V 60 V 110 V 125 V 220 V
	R															
	G															
	B															
	Y															
	W															
	O															
		<table border="1"> <tr><td></td><td>R</td></tr> <tr><td></td><td>G</td></tr> <tr><td></td><td>B</td></tr> <tr><td></td><td>Y</td></tr> <tr><td></td><td>W</td></tr> <tr><td></td><td>O</td></tr> </table>		R		G		B		Y		W		O	12 V 24 V 48 V 60 V 110 V 125 V 230 V	12 V 24 V 48 V 60 V 110 V 125 V 220 V
	R															
	G															
	B															
	Y															
	W															
	O															

Distance between the mounting holes at least 30 mm!!!

Example for ordering::


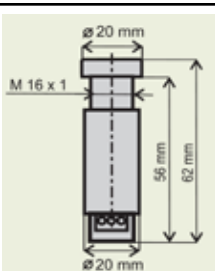



SUS-01-T-Q-R/G-110V-DC SUS-01 = Type / Size
 -T = Short mounting depth with faston terminals
 -Q = Front (square)
 -R/G = Color red/green
 -110V = Voltage
 -DC = Direct voltage



SUS-02 / SUS-02-Q

Installation depth: 56 mm

Front dimension: Ø 20 mm / 20x20 mm quadratisch

Picture	Dimensions	LED colors	AC voltages	DC voltage
			12 V 24 V 48 V 60 V 110 V 125 V 230 V	12 V 24 V 48 V 60 V 110 V 125 V 220 V
			12 V 24 V 48 V 60 V 110 V 125 V 230 V	12 V 24 V 48 V 60 V 110 V 125 V 220 V

Distance between the mounting holes at least 25 mm!!!


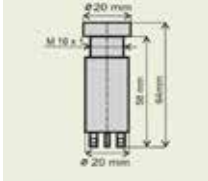
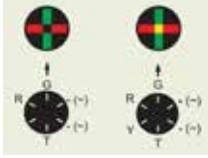



Example for ordering::

SUS-02-Q-R/G-110V-DC SUS-02 = Type / Size
 -Q = Front (square)
 -R/G = Color red/green
 -110V = Voltage
 -DC = Direct voltage

SUS-02-T / SUS-02-T-Q

Installation depth: 58 mm

Front dimension: Ø 20 mm / 20x20 mm square

Picture	Dimensions	LED colors	AC voltages	DC voltage
	 		12 V 24 V 48 V 60 V 110 V 125 V 230 V	12 V 24 V 48 V 60 V 110 V 125 V 220 V
			12 V 24 V 48 V 60 V 110 V 125 V 230 V	12 V 24 V 48 V 60 V 110 V 125 V 220 V

Distance between the mounting holes at least 25 mm!!!

Example for ordering::

SUS-02-T-Q-R/G/O-110V-DC SUS-02 = Type / Size
 -T = special size with faston terminals, 3-color combination possible
 -Q = Front (square)
 -R/G/O = Color red/green/orange
 -110V = Voltage
 -DC = Direct voltage



SUS-03-T / SUS-03-T-Q

Installation depth: 48 mm
 Front dimension: Ø 25 mm / 25x25 mm quadratisch

Picture	Dimensions	LED colors	AC voltages	DC voltage												
		<table border="1"> <tr><td></td><td>R</td></tr> <tr><td></td><td>G</td></tr> <tr><td></td><td>B</td></tr> <tr><td></td><td>Y</td></tr> <tr><td></td><td>W</td></tr> <tr><td></td><td>O</td></tr> </table>		R		G		B		Y		W		O	12 V 24 V 48 V 60 V 110 V 125 V 230 V	12 V 24 V 48 V 60 V 110 V 125 V 220 V
	R															
	G															
	B															
	Y															
	W															
	O															
		<table border="1"> <tr><td></td><td>R</td></tr> <tr><td></td><td>G</td></tr> <tr><td></td><td>B</td></tr> <tr><td></td><td>Y</td></tr> <tr><td></td><td>W</td></tr> <tr><td></td><td>O</td></tr> </table>		R		G		B		Y		W		O	12 V 24 V 48 V 60 V 110 V 125 V 230 V	12 V 24 V 48 V 60 V 110 V 125 V 220 V
	R															
	G															
	B															
	Y															
	W															
	O															

Distance between the mounting holes at least 30 mm!!!

Example for ordering::

SUS-03-T-Q-R/G/O-110V-DC SUS-03 = Type / Size
 -T = Short mounting depth with faston terminals, 3-color combination possible
 -Q = Front quadratisch
 -R/G/O = Color red/green/orange
 -110V = Voltage
 -DC = Direct voltage

SUS-09 / SUS-09-Q

Installation depth: 42 mm
 Front dimension: Ø 32 mm / 32x32 mm square

Picture	Dimensions	LED colors	AC voltages	DC voltage												
		<table border="1"> <tr><td></td><td>R</td></tr> <tr><td></td><td>G</td></tr> <tr><td></td><td>B</td></tr> <tr><td></td><td>Y</td></tr> <tr><td></td><td>W</td></tr> <tr><td></td><td>O</td></tr> </table>		R		G		B		Y		W		O	12 V 24 V 48 V 60 V 110 V 125 V 230 V	12 V 24 V 48 V 60 V 110 V 125 V 220 V
	R															
	G															
	B															
	Y															
	W															
	O															
		<table border="1"> <tr><td></td><td>R</td></tr> <tr><td></td><td>G</td></tr> <tr><td></td><td>B</td></tr> <tr><td></td><td>Y</td></tr> <tr><td></td><td>W</td></tr> <tr><td></td><td>O</td></tr> </table>		R		G		B		Y		W		O	12 V 24 V 48 V 60 V 110 V 125 V 230 V	12 V 24 V 48 V 60 V 110 V 125 V 220 V
	R															
	G															
	B															
	Y															
	W															
	O															

Distance between the mounting holes at least 33 mm!!!

Example for ordering::


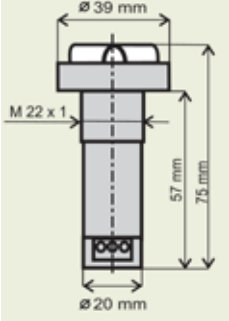



SUS-09-Q-R/G-110V-DC SUS-09 = Type / Size
 -Q = Front (square)
 -R/G = Color red/green
 -110V = Voltage
 -DC = Direct voltage



SUS-95 / SUS-95-Q

Installation depth: 57 mm

Front dimension: \varnothing 39 mm / 39x39 mm square

Picture	Dimensions	LED colors	AC voltages	DC voltage
			12 V 24 V 48 V 60 V 110 V 125 V 230 V	12 V 24 V 48 V 60 V 110 V 125 V 220 V
			12 V 24 V 48 V 60 V 110 V 125 V 230 V	12 V 24 V 48 V 60 V 110 V 125 V 220 V

Distance between the mounting holes at least 40 mm!!!


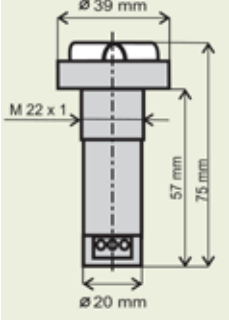



Example for ordering::

SUS-95-Q-R/G-110V-DC SUS-95 = Type / Size
 -Q = Front (square)
 -R/G = Color red/green
 -110V = Voltage
 -DC = Direct voltage

SUS-95-L / SUS-95-L-Q

Installation depth: 57 mm

Front dimension: \varnothing 39 mm / 39x39 mm square

Picture	Dimensions	LED colors	AC voltages	DC voltage
			24 V 48 V 60 V	24 V 48 V 60 V
			24 V 48 V 60 V	24 V 48 V 60 V

Distance between the mounting holes at least 40 mm!!!

Example for ordering::

SUS-95-L-Q-R/G-60V-DC SUS-95 = Type / Size
 -L = Special size
 -Q = Front (square)
 -R/G = Color red/green
 -60V = Voltage
 -DC = Direct voltage



SUS-99 / SUS-99-Q

Installation depth: 58 mm
 Front dimension: Ø 32 mm / 32x32 mm square

Picture	Dimensions	LED colors	AC voltages	DC voltage												
		<table border="1"> <tr><td></td><td>R</td></tr> <tr><td></td><td>G</td></tr> <tr><td></td><td>B</td></tr> <tr><td></td><td>Y</td></tr> <tr><td></td><td>W</td></tr> <tr><td></td><td>O</td></tr> </table>		R		G		B		Y		W		O	12 V 24 V 48 V 60 V 110 V 125 V 230 V	12 V 24 V 48 V 60 V 110 V 125 V 220 V
		R														
	G															
	B															
	Y															
	W															
	O															
	<table border="1"> <tr><td></td><td>R</td></tr> <tr><td></td><td>G</td></tr> <tr><td></td><td>B</td></tr> <tr><td></td><td>Y</td></tr> <tr><td></td><td>W</td></tr> <tr><td></td><td>O</td></tr> </table>		R		G		B		Y		W		O	12 V 24 V 48 V 60 V 110 V 125 V 230 V	12 V 24 V 48 V 60 V 110 V 125 V 220 V	
	R															
	G															
	B															
	Y															
	W															
	O															

Distance between the mounting holes at least 33 mm!!!

Example for ordering::

SUS-99-Q-R/G-110V-DC SUS-99 = Type / Size
 -Q = Front (square)
 -R/G = Color red/green
 -110V = Voltage
 -DC = Direct voltage

SUS-99-L / SUS-99-L-Q

Installation depth: 58 mm
 Front dimension: Ø 32 mm / 32x32 mm square

Picture	Dimensions	LED colors	AC voltages	DC voltage				
		<table border="1"> <tr><td></td><td>R</td></tr> <tr><td></td><td>G</td></tr> </table>		R		G	24 V 48 V 60 V	24 V 48 V 60 V
		R						
	G							
	<table border="1"> <tr><td></td><td>R</td></tr> <tr><td></td><td>G</td></tr> </table>		R		G	24 V 48 V 60 V	24 V 48 V 60 V	
	R							
	G							

Distance between the mounting holes at least 40 mm!!!

Example for ordering::

SUS-99-L-Q-R/G-60V-DC SUS-99 = Type / Size
 -L = Special size
 -Q = Front (square)
 -R/G = Color red/green
 -60V = Voltage
 -DC = Direct voltage