

## Switch position indicators



Type:  
PI ..X



### Application

Switch position indicators are used to signal the switching state in electrical installations. They may be used both in schematic diagrams of switchgear and control gear and in measuring stations and control rooms or also in mosaic systems. The switch position indicators dispose of screw terminal for cable cross sections of up to 1.5 mm<sup>2</sup>.



### Function

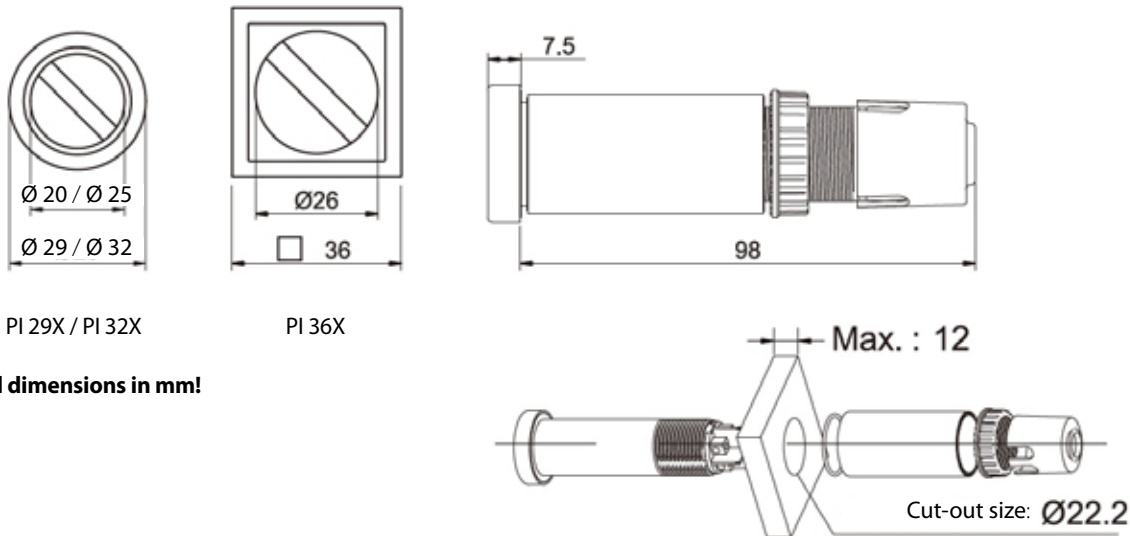
The switch position indicators are equipped with a rotating magnet system. This guarantees a precise symbol position. With a rather low energy consumption, the heat development in the indicator is negligible. The coil of the system generates a magnetic field. The moving magnet is axially linked to the symbol. Pole shoes determine its position. An external reset is not required.

### Types and variants / technical data

Types cross symbol	PI 29X	PI 32X	PI 36X
Bezel shape	Ø 29	Ø 32	□ 36
Bezel dimensions	Diameter 29 mm	Diameter 32 mm	36 x 36 mm
Types break contact symbol	PI 29X-TR	PI 32X-TR	PI 36X-TR
Bezel shape	Ø 29	Ø 32	□ 36
Bezel dimensions	Diameter 29 mm	Diameter 32 mm	36 x 36 mm
	X	X	X
Technical data			
Operating voltage	24 - 60 V AC/DC and 90 - 240 V AC/DC		
Angle indication error	+/- 2°		
Overload capacity	1.2 times rated value continuous overload 2 time rated value short time overload for 5 sec		
Power consumption	< 1 VA	< 1,6 VA	< 1,6 VA
Security level	300 V CAT III		
Pollution grade	2		
Temperatur range	-25 °C to +55 °C		
Ambient conditions	5 to 95% RH, no condensation		



## Dimensions



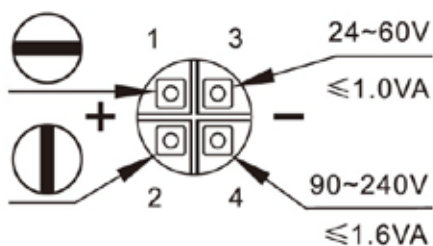
PI 29X / PI 32X

PI 36X

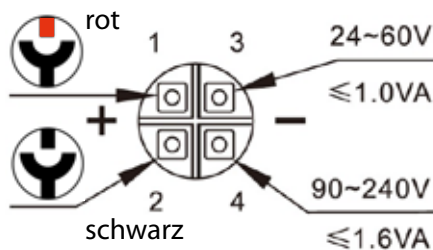
All dimensions in mm!



## Wiring diagram cross symbol



## Wiring diagram break contact symbol



## Switch status cross symbol

