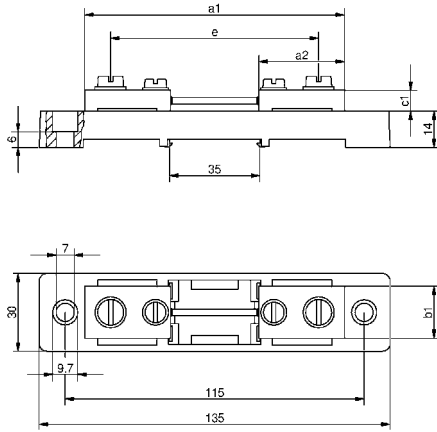
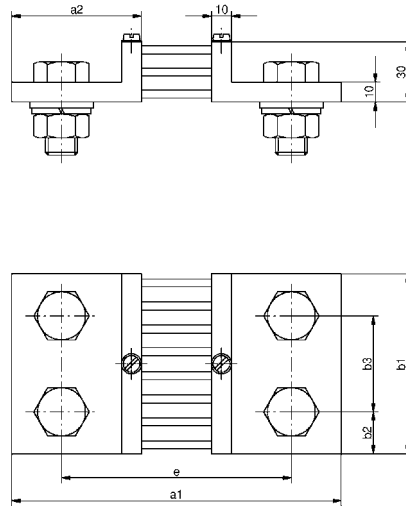


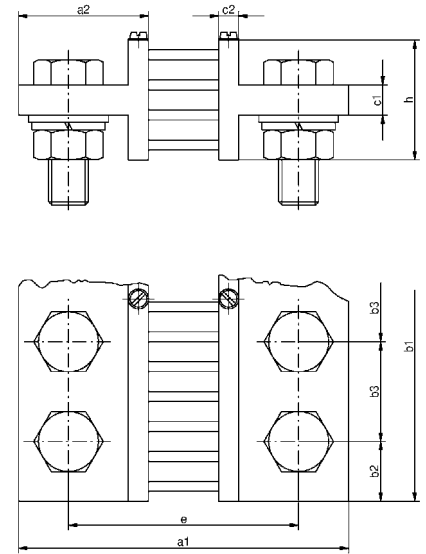
Form A (flat copper)



Form B (L-form copper)



Form C (T-form copper)



Insulation base up to 25 A

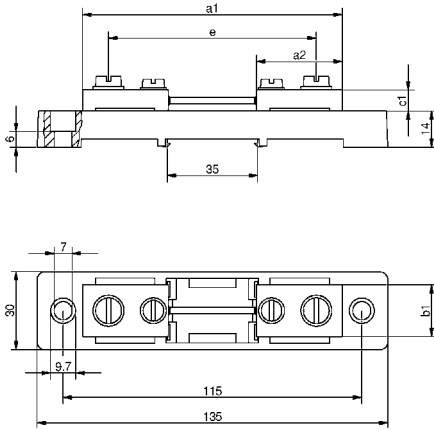
Dimensions 60 mV

rated current	Form	a1	a2	b1	b2	b3	c1	c2	h	e	n ¹	s ²
A up to 25	A	100	33	20			8			78	2	M 6
40-150	A	100	33	20			8			80	2	M 8
200 / 250	A	145	55	30			10			105	2	M 12
300	B	145	55	30	15					105	2	M 12
400 / 500 / 600	B	145	55	40	20					105	2	M 16
800 / 1000 / 1200	B	165	65	60	30					115	2	M 20
1500	B	165	65	90	21	48				115	4	M 16
2000 / 2500	B	165	65	120	30	60				115	4	M 20
3000	B	165	65	150	45	60				115	4	M 20
4000 / 5000	C	165	65	120	30	60	15	10	60	115	4	M 20
6000 / 7000	C	175	70	154	25	52	25	15	130	125	6	M 20
8000	C	175	70	206	25	52	25	15	130	125	8	M 20
10000	C	185	75	206	25	52	30	20	170	135	8	M 20
12000	C	185	75	258	25	52	30	20	170	135	10	M 20
15000	C	185	75	310	25	52	30	20	170	135	12	M 20
20000	C	185	75	414	25	52	30	20	170	135	16	M 20

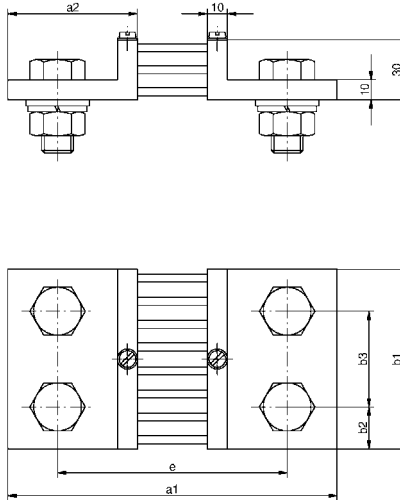
1 = n: number of screws

2 = s: screws acc. to ISO 4017

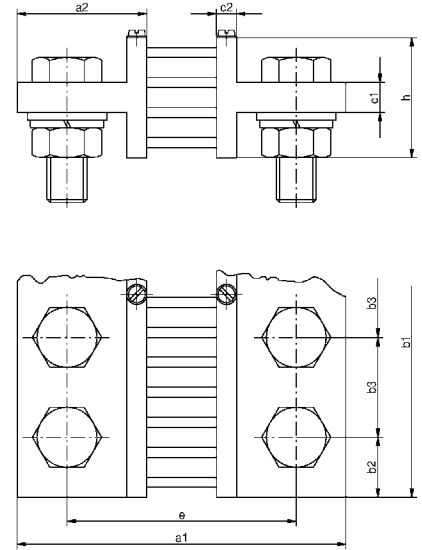
Form A (flat copper)



Form B (L-form copper)



Form C (T-form copper)



Insulation base up to 25 A

rated current		Form	Dimensions 100 mV										
			a1	a2	b1	b2	b3	c1	c2	h	e	n ¹	s ²
A	up to 25	A	100	33	20			8			78	2	M 6
	40-150	A	150	33	25			8			131	2	M 8
	200 / 250 / 300	B	195	55	30	15					155	2	M 12
	400 / 500 / 600	B	195	55	40	20					155	2	M 16
	800 / 1000 / 1200	B	215	65	60	30					165	2	M 20
	1500	B	215	65	90	21	48				165	4	M 16
	2000	B	215	65	120	30	60				165	4	M 20
	2500 / 3000	C	215	65	120	30	60	15	10	60	165	4	M 20
	4000 / 5000	C	215	65	135	37,5	60	15	10	60	165	4	M 20
	6000 / 7000	C	225	70	154	25	52	25	15	130	175	6	M 20
8000 / 10000	C	235	75	206	25	52	30	20	170	185	8	M 20	

rated current		Form	Dimensions 150 mV										
			a1	a2	b1	b2	b3	c1	c2	h	e	n ¹	s ²
A	up to 25	A	100	33	20			8			78	2	M 6
	40-150	A	225	33	25			8			205	2	M 8
	200 / 250	B	270	55	30	15					230	2	M 12
	300 / 400 / 500 / 600	B	270	55	40	20					230	2	M 16
	800 / 1000 / 1200	B	290	65	70	35					240	2	M 20
	1500 / 2000	C	290	65	90	21	48	15	10	60	240	4	M 16
	2500 / 3000	C	290	65	120	30	60	15	10	60	240	4	M 20
	4000 / 5000	C	300	70	120	30	60	25	15	130	250	4	M 20
	6000 / 7000	C	300	70	154	25	52	25	15	130	250	6	M 20
	8000 / 10000	C	310	75	206	25	52	30	20	170	260	8	M 20

1 = n: number of screws
 2 = s: screws acc. to ISO 4017