



Mounting kits

for analog meters

Type:
TSH-X



Application

The TSH-X mounting kit for analog meters is used to mount the devices of sizes 48, 72 and 96 on TH 25 top-hat rails in accordance with DIN EN 60715.



Function

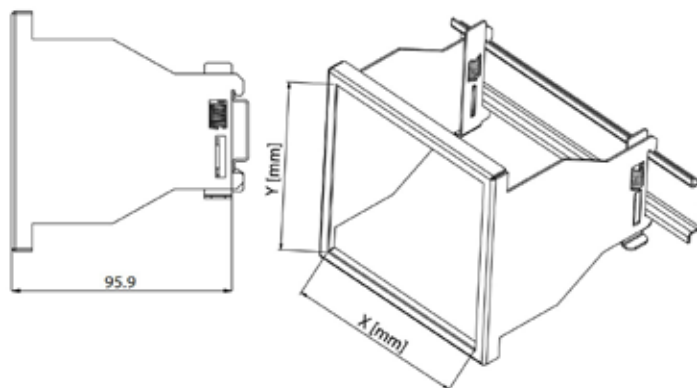
The analog device is attached to the TSH-X mounting kit with a form B screw mounting, DIN 43 835. The unit can now be snapped onto a top hat rail.

Types and variants

Type	TSH-X 48	TSH-X 72	TSH-X 96
for device size (X x Y)	48 x 48 mm	72 x 72 mm	96 x 96 mm
Total height from top of hat rail	95,9 mm	95,9 mm	96,9 mm
max. installation depth of analog device	85 mm	85 mm	85 mm
Material	Galvanized steel sheet		
Number of screw fixings	2	2	2
	X	X	X



Dimensions / Mounting



Assembly

Disassembly

